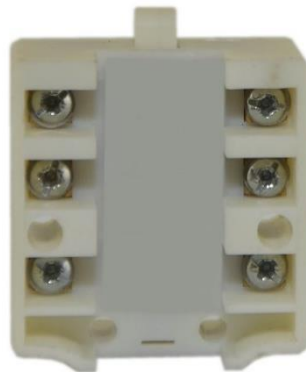


MINIATURE LIMIT SWITCHES 83 138

DATA SHEET

no: KK- ŁK_83138



Miniature switches of type 83 138 are intended to be used in automated drive systems and control, monitoring, and measuring circuits that operate under alternating and direct currents. These switches are controlled with an appropriate drive element. The position and speed of movement corresponding to mobile contacts, and the time needed to switch them over, depend on the position and speed of travel corresponding to the drive element that acts on the pusher with an appropriate force. This way, appropriate contacts of the switch are either closed or opened. The arrangement of mobile contacts is not stable, which means that they automatically return to their home position, once the force acting on the pusher disappears.


Switches of type 83 138 have a plastic body that contains NC and NO mobile contacts. These switches have M3 screw connection clamps with flat washers. In order to install a switch, tighten it to the foundation with two plastic M4 screws that are delivered with the switch. It is not acceptable to use screws made of a different material.

TECHNICAL DATA:


Parameter	Value	
	Without enclosure (83 138)	In enclosure (83 758 52)
Rated insulation voltage U_i	400V	
Rated switching voltage U_e/I_e AC15 [V/A] DC13 [V/A]	300V/2,5A (50...60 Hz) 220V/0,25A	
Rated continuous current I_u	10A	
Type of fuse-element	Bi-Wts 10 A	
Rated limited withstand current	1000 A	
Mechanical life: Switches with an installed driving head, controlled with a telescopic pusher Switches with an installed revolving-driving head	5x10 ⁶	3x10 ⁶ 2x10 ⁶
Electrical endurance:	0,1 x 10 ⁶	
Rated frequency of switching [switches/h]	3600	1200
Speed of the drive element [m/s]	1	10 ⁻⁴ ...1 pusher 10 ⁻³ ...1 revolving lever
Cross-section of single-wire terminals [mm]	0,75...1,5	
Ambient temperature	-25...+40 °C	
Protection class of the body/of terminals	IP40/IP00	IP65/IP65
Max force required to switch over	6	20 or 0,2Nm for revolving heads
Type of gland	Dp 13,5	
Operation of contacts	effective	

The product conforms to the following standard PN-EN 60947-5-1.


TYPES OF MINIATURE LIMIT SWITCHES 83 138

	Designation	Description	Catalogue no.	Weight (g)
	83138 3X	Miniature switch with three (3) circuits, slow response, with a plastic pusher. Available in four contact arrangements (3X, 3Y, 2XY, and 2YX).	83138 3X	31
	83138 3Y		83138 3Y	
	83138 2XY		83138 2XY	
	83138 2YX		83138 2YX	







TYPES OF MINIATURE LIMIT SWITCHES 83 138.1

	Designation	Description	Catalogue no.	Weight (g)
	83138.1 3X	Miniature switch with three (3) circuits, slow response, with a telescopic drive. Available in four contact arrangements (3X, 3Y, 2XY, and 2YX).	83138.1 3X	65
	83138.1 3Y		83138.1 3Y	
	83138.1 2XY		83138.1 2XY	
	83138.1 2YX		83138.1 2YX	

TYPES OF LIMIT SWITCHES 83 758 52

	Designation	Description	Catalogue no.	Weight (g)
	83758 52 3X	Miniature switch with three (3) circuits, slow response, with a telescopic drive. Available in four contact arrangements (3X, 3Y, 2XY, and 2YX).	56-83758 52 3X	330
	83758 52 3Y		56-83758 52 3Y	
	83758 52 2XY		56-83758 52 2XY	
	83758 52 2YX		56-83758 52 2YX	

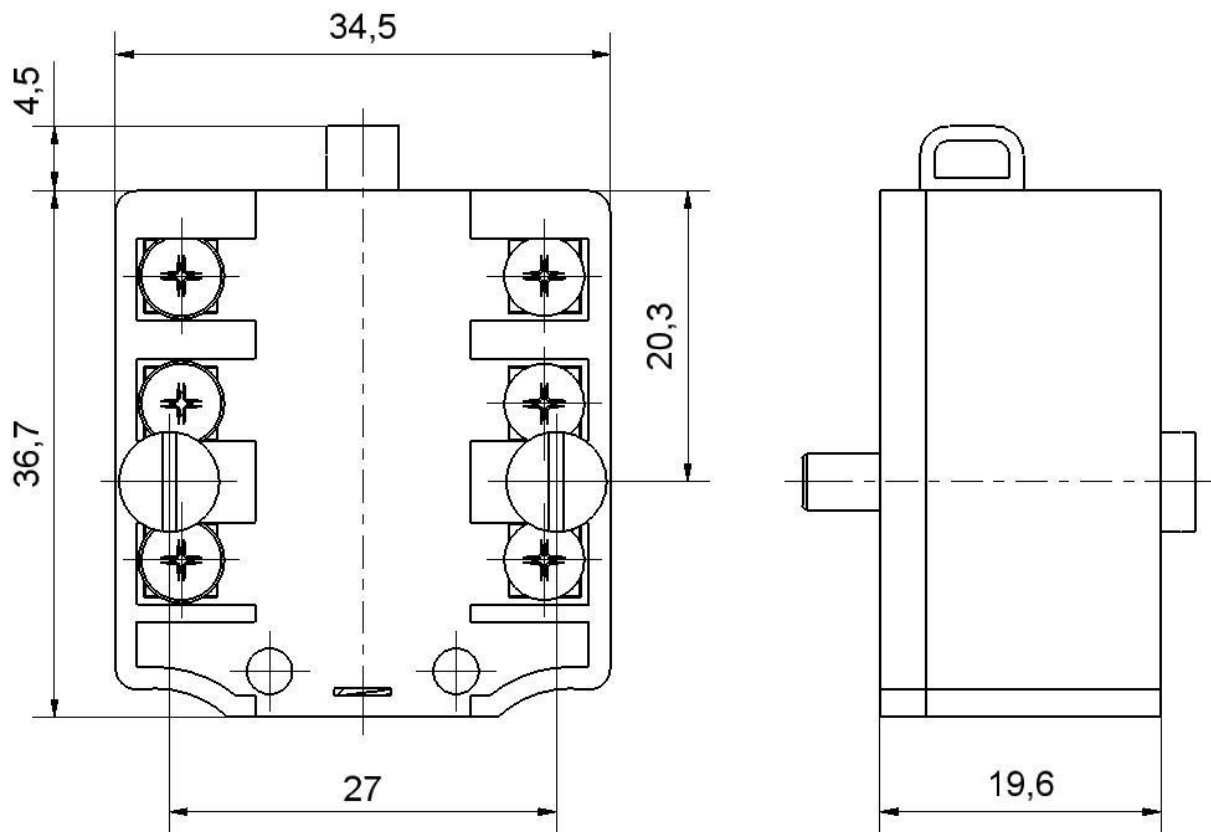
TYPES OF HEADS FOR LIMIT SWITCHES 83 758 52

	Designation	Description	Catalogue no.	Weight (g)
	81080 02	Driving head with a return force, controlled with a vertical pusher	56-81080-02	170
	81080 12	Driving head with a return force, controlled with a vertical pusher with a roll	56-81080-12	180
	81080 22	Driving head with a return force, controlled with a side pusher	56-81080-22	220
	81080 32	Driving head with a return force, controlled with a side pusher and a horizontal roll	56-81080-32	240
	81080 42	Driving head with a return force, controlled with a side pusher and a vertical roll	56-81080-42	230
	81080 52	Revolving head with a spindle, with a return force, and a left-sided direction of operation	56-81080-52	230
	81080 62	Revolving head with a spindle, with a return force, and a right-sided direction of operation	56-81080-62	230
	81080 72	Revolving head with a spindle, with a return force, and a left- and right-sided direction of operation	56-81080-72	230
	81080 82	Revolving head with a spindle, without a return force; right-side: actuation, left-side: disconnection	56-81080-82	230

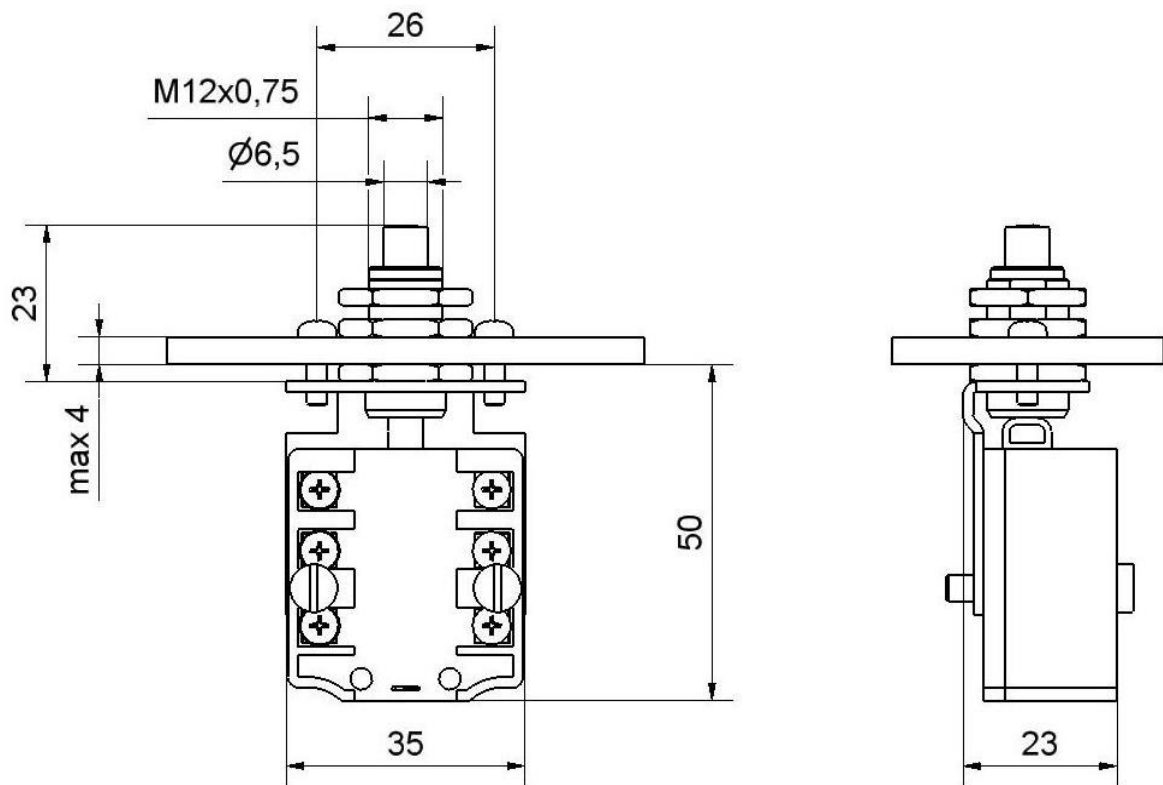
TYPES OF LEVERS FOR LIMIT SWITCHES 83 758 52

	Designation	Description	Catalogue no.	Weight (g)
	79 210 371 2	Straight lever with a roll	56-514352	27
	79 210 372 2	Straight lever with a roll, adjustable length	56-514312	48
	79 210 373 2	Two-arm lever with rolls	56-514332	49
	79 210 375 2	Lever with a spring	56-514282	41
	79 210 393 2	Straight lever (bar type)	56-514292	33

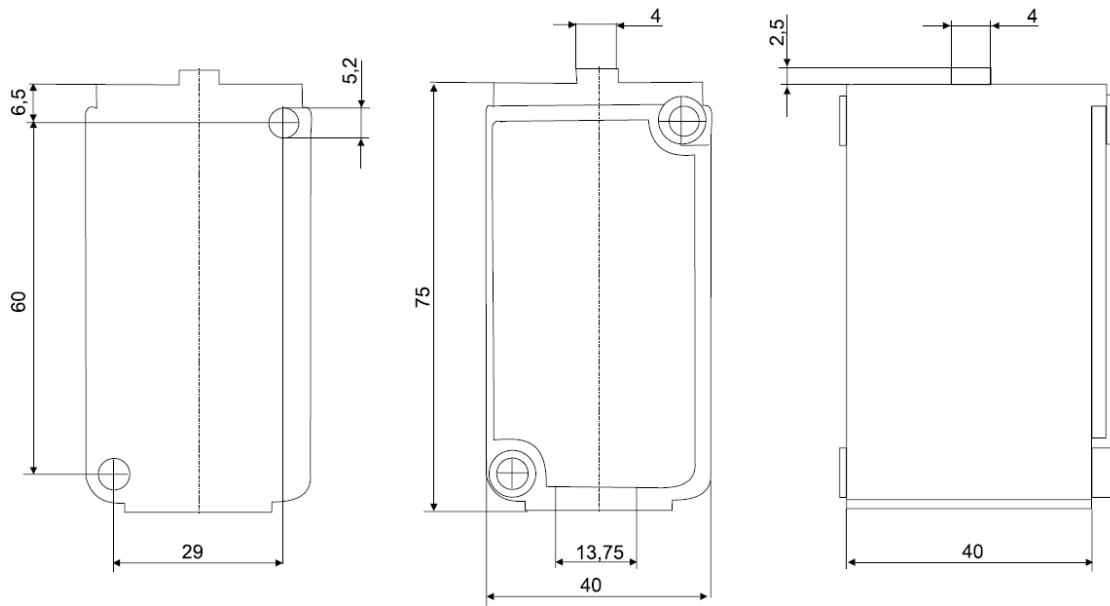
DIMENSIONS



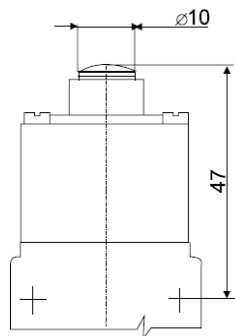
83 138



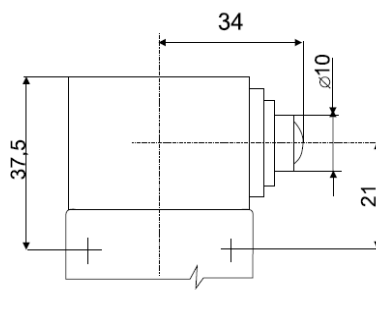
83 138.1



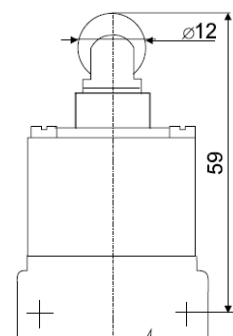
83 758 52



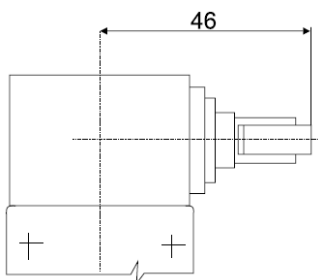
81 050 02



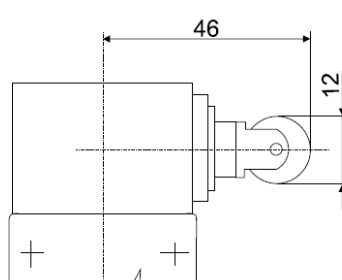
81050 22



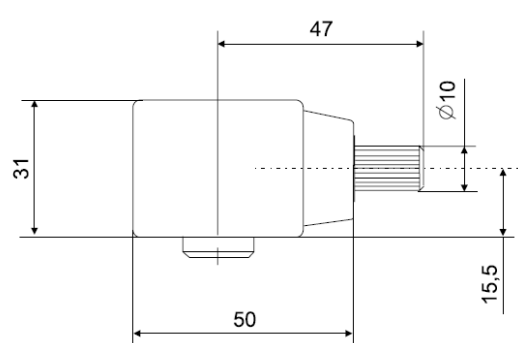
81 050 12



81 050 32



81050 42

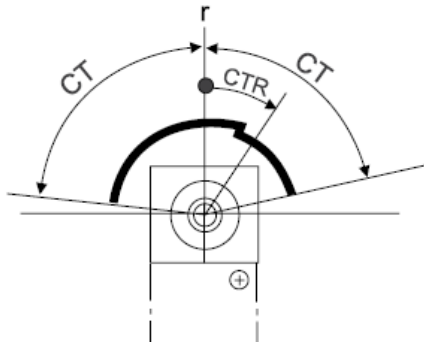
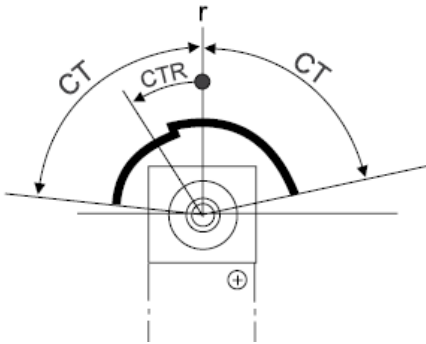


81 050 52

81 050 62

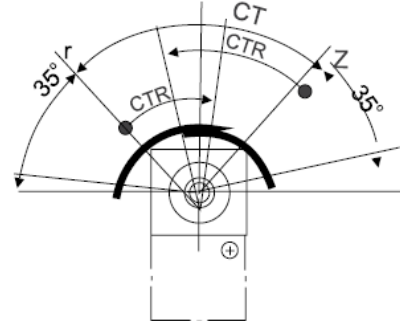
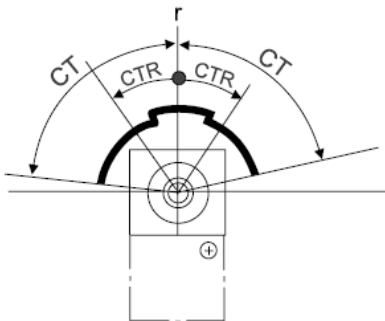
81 050 72

81 050 82



- CT** - total travel
- CTR** - operational travel
- r** - NC contacts
- z** - NO contacts

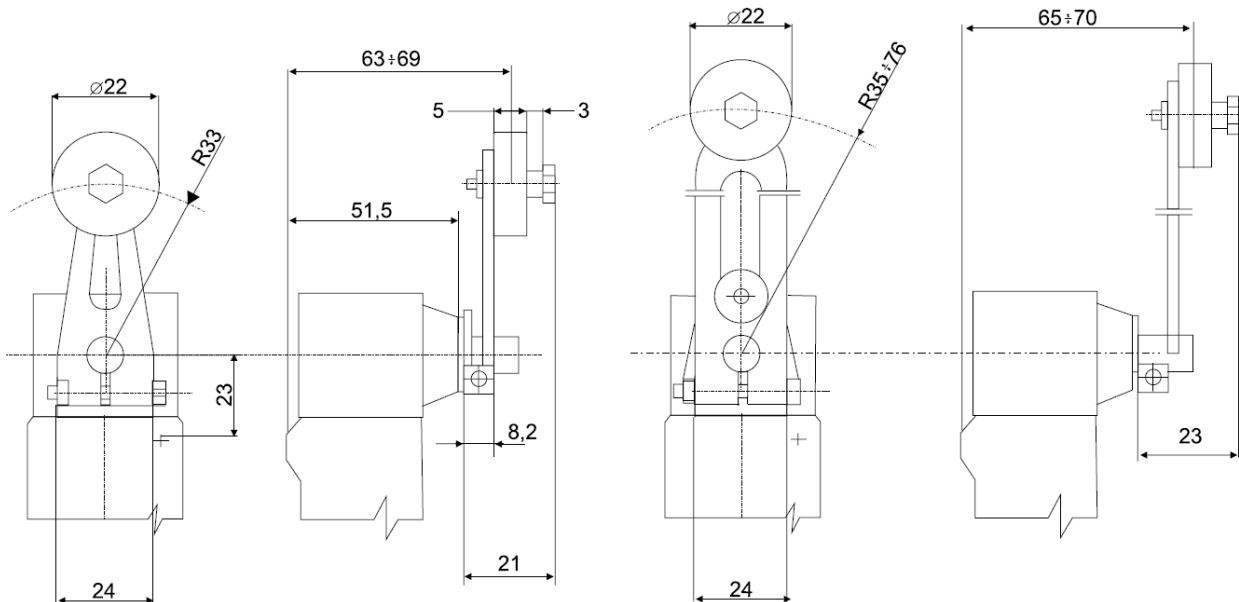
81 050 52
81050 62



- CT** - total travel
- CTR** - operational travel
- r** - NC contacts
- z** - NO contacts

81 050 52

81050 62



79 210 371.2

79 210 372.2

