

MINIATURE LIMIT SWITCHES MP 0

DATA SHEET

no: KK-ŁK_MPO



Miniature position switches (limit switches) are intended to operate as part of various auxiliary circuits of control, signaling, measuring, and monitoring systems. The following factors are decisive, when selecting the appropriate type of a position switch:

- Place of installation (the required protection class)
- The shape and travelling method of control elements that operate the switch
- Electrical parameters of a circuit
- Mechanical parameters of the switch.

The MP 0 miniature position switches are manufactured according to two climatic designs:

- Standard – for moderate climate 2
- Special – for tropical climate 6.




Each position switch is comprised of a drive part and a contact based connection element. Each drive can be made according to one of the following designs: basic, lever-based, telescopic, or pusher-based. The contact element contains a double-break change-over contact (NC+NO).

TECHNICAL DATA:




Parameter	Value	
Rated insulation voltage U_i		400V
Rated continuous current I_U		10A
Rated switched currents I_e	AC 15 - U_e 110V/230V/400V DC 13 - U_e 48V/110V/220V	2,5A/2,5A/1,6A 1,5A/0,25A/0,16A
Limited withstand current		1000A
Type and the highest rating of a safety device that protects against the effects of short-circuit current impact		Bi - Wts 10A
Speed of the drive element		$17 \times 10^{-6} \div 1$ m/s
Frequency of switching per hour		3,600 switches/h
Type of terminals	- MP 0, MP 0-S - MP 0-1, MP 0-2, MP 0-3	To be burnt on
	- MP 0-B, MP 0-4, MP 0-5, MP 0-5W	Screwed
Cross-sections of conductors	- MP 0, MP 0-S - MP 0-1, MP 0-2, MP 0-3	max 1,5 mm ²
	- MP 0-B, MP 0-4, MP 0-5, - MP 0-5W	Cord 0.75 mm ² Wire 1 mm ²
Maximum diameter of cable	- MP 0-4, MP 0-5	9 mm
Ambient temperature		-25 ... +40 °C
Protection class	- body of a switch/terminals - switch in enclosure	IP 40/IP 00 IP 44
Operation of contacts		snap action


The product conforms to the following standard PN-EN 60947-5-1.

TYPES OF MINIATURE LIMIT SWITCHES MP0
BASIC SWITCHES


Type of switch	Forces and travels				Climatic designs	Catalogue no.	Weight (g)
	FC max	CA max	CT mm	CD max			
BASIC SWITCH							
MP 0 	4	1,8	2,1	0,7	standard	59-192002	6,3
					special	59-192006	
BASIC SWITCH APPLIED IN KS TYPE CONTROL BOXES							
MP 0-B 	4,5	-	-	-	standard	59-191012	13
					special	59-191016	
SPECIAL SWITCH WITH REDUCED FORCE REQUIRED TO SWITCH OVER							
MP 0-S 	3,2	1,8	2,1	0,7	standard	59-196002	6,3
					special	59-196006	

SWITCHES WITH A LEVER-BASED DRIVE, RIGHT OR LEFT


Type of switch	Forces and travels			Climatic designs	Catalogue no.	Weight (g)
	FC max	CA max	CT mm			
SWITCH WITH A LEVER-BASED DRIVE, RIGHT LEVER						
MP 0-1 	3	6,5	7,5	standard	59-182012	17
				special	59-182016	
SWITCH WITH A LEVER-BASED DRIVE, LEFT LEVER						
MP 0-1L 	3	6,5	7,5	standard	59-182022	17
				special	59-182026	
SWITCH WITH A LEVER-BASED DRIVE, RIGHT LEVER AND A ROLL						
MP 0-1R 	3	6,5	7,5	standard	59-182032	18
				special	59-182036	



SWITCH WITH A LEVER-BASED DRIVE, LEFT LEVER AND A ROLL						
	3	6,5	7,5	standard	59-182042	18
				special	59-182046	

SWITCHES WITH TELESCOPIC DRIVES

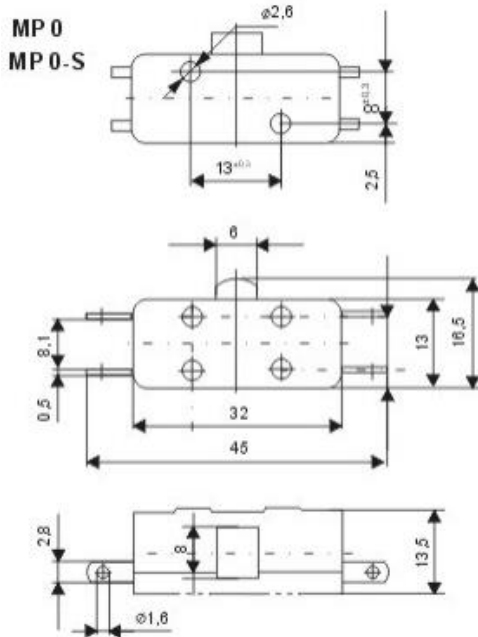
Type of switch	Forces and travels			Climatic designs	Catalogue no.	Weight (g)
	FC max	CA max	CT mm			
SWITCH WITH A TELESCOPIC DRIVE						
	ID	4	6	standard	59-182082	37
				special	59-182086	
SWITCH WITH A TELESCOPIC DRIVE AND A LEVER WITH A ROLL						
	9	6,5	11	standard	59-182092	57
				special	59-182096	
SWITCH WITH A TELESCOPIC DRIVE AND AN ANGLE LEVER WITH A ROLL						
	9	6,5	11	standard	59-182102	64
				special	59-182106	

SWITCHES IN ENCLOSURE

Type of switch	Forces and travels			Climatic designs	Catalogue no.	Weight (g)
	FC max	CA max	CT mm			
SWITCH IN AN ENCLOSURE WITH A TELESCOPIC DRIVE						
	13	4	6	standard	59-182082	96
				special	59-182086	

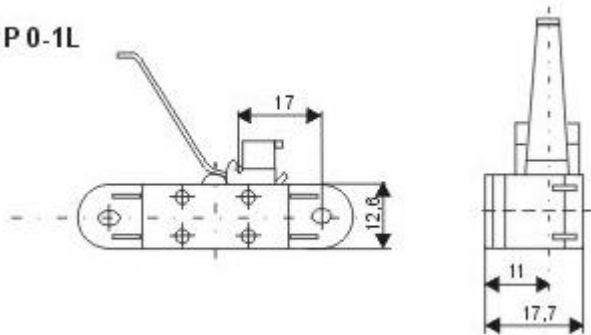
SWITCH IN AN ENCLOSURE WITH A TELESCOPIC DRIVE AND A LEVER WITH A ROLL						
MP 0-5 	9	6,5	11	standard	59-182092	117
				special	59-182096	
SWITCH IN AN ENCLOSURE WITH A TELESCOPIC DRIVE AND AN ANGLE LEVER WITH A ROLL						
MP 0-5W 	9	6,5	11	standard	59-182102	123
				special	59-182106	

DIMENSIONS

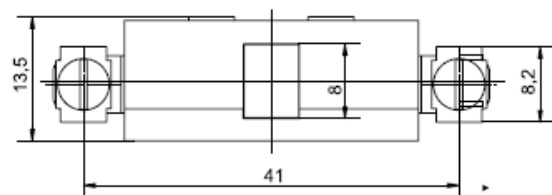
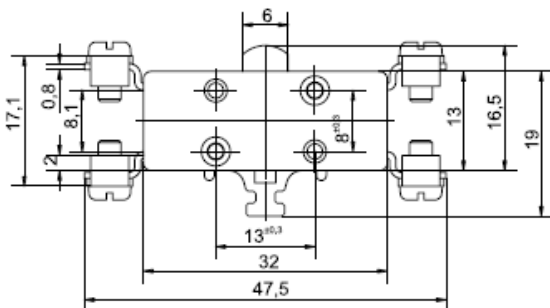
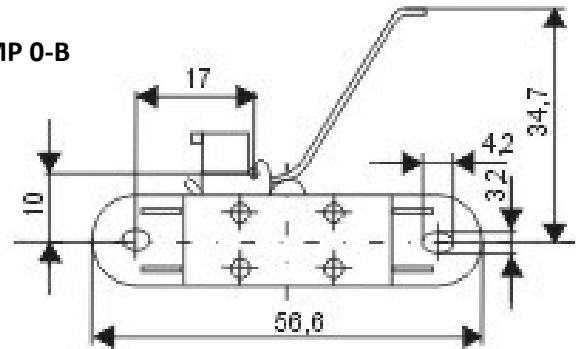


MP 0-1

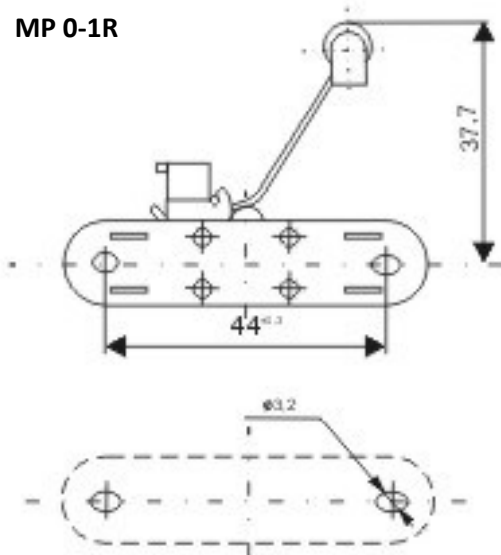
MP 0-1L



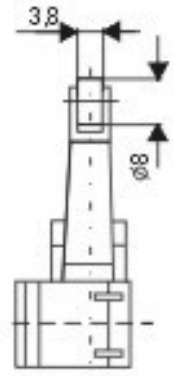
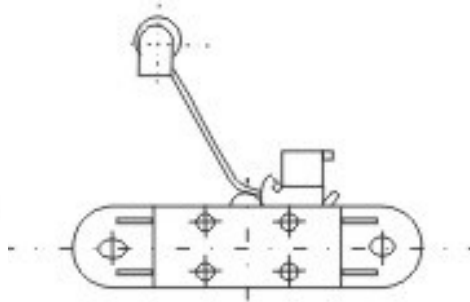
MP 0-B



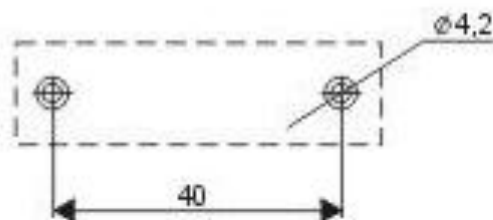
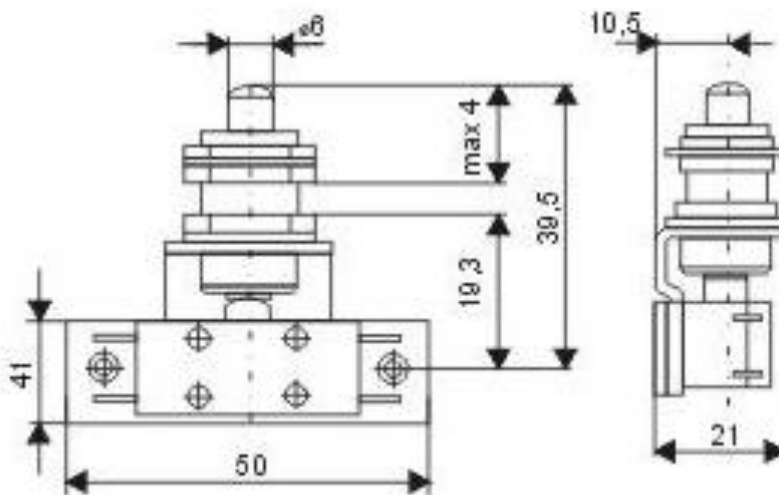
MP 0-1R



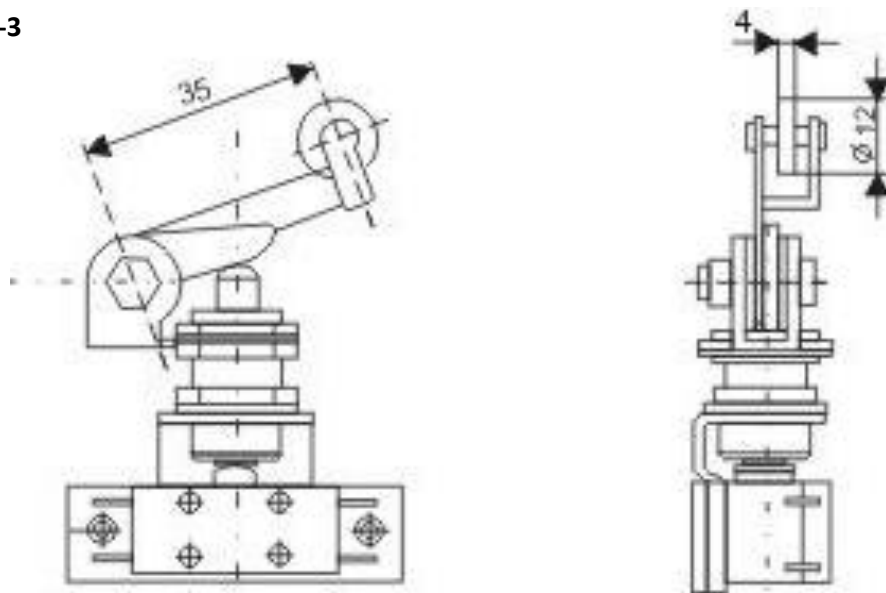
MP 0-1RL



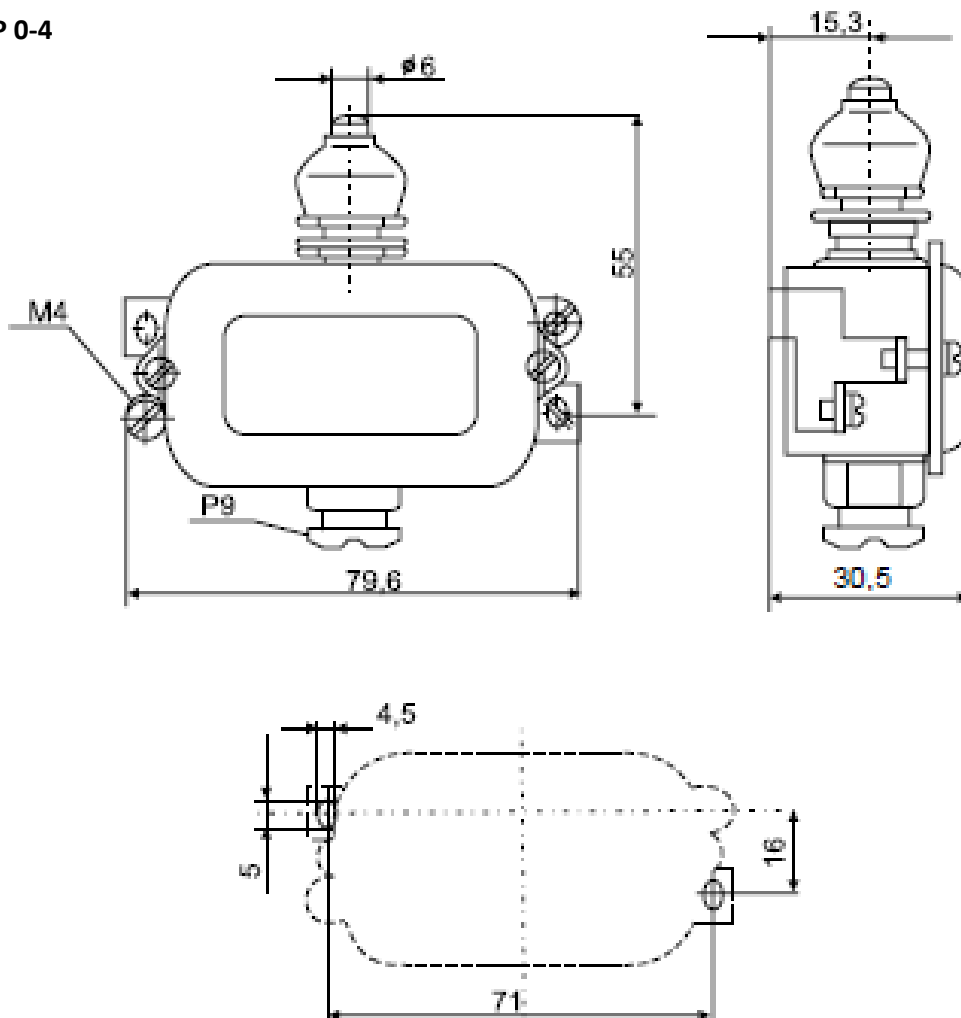
MP 0-2



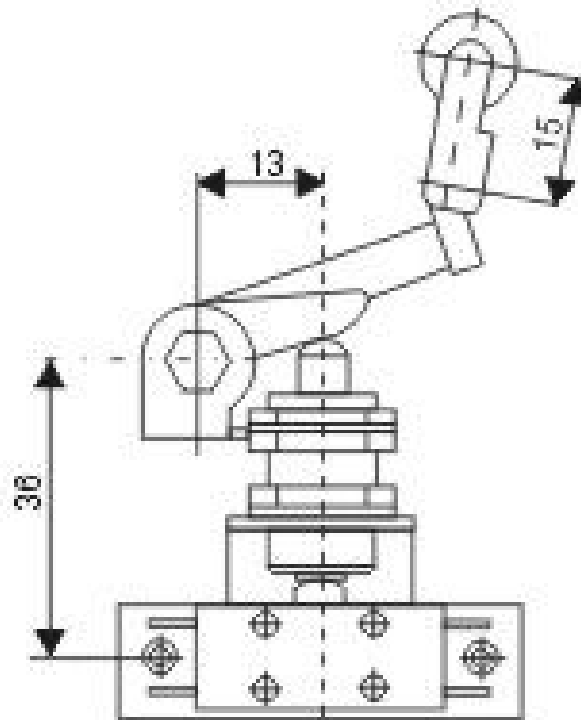
MP 0-3



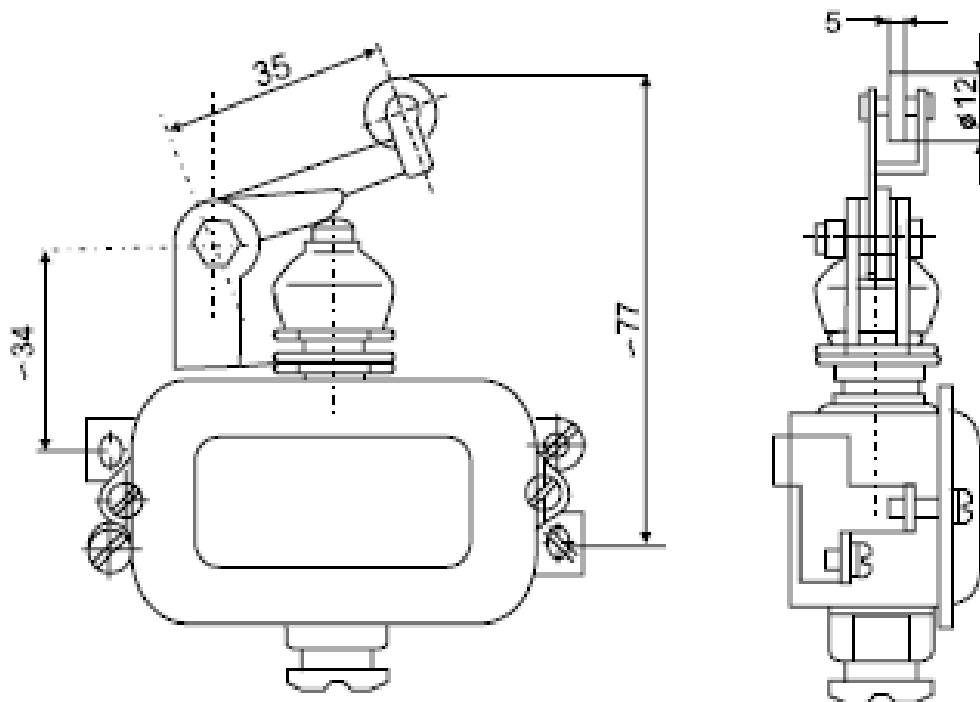
MP 0-4



MP 0-3W



MP 0-5



MP 0-5W

