

# LEVER SWITCHES Z, ZP1 AND Zcm2, ZP1cm2

DATA SHEET

no: KK-ŁK\_Z



Lever switches type Z and ZP-1 as well as Zcm2 and ZP1cm2 are designed to work in control panels and cabinets as switching elements and switches off various types of AC or DC electrical devices. Lever switches type Z and Zcm2 have two stable positions. Lever switches type ZP-1 and ZP1cm2 have two return springs which cause the lever and the movable contact to return automatically to the starting position after the force acting on the lever is released. The switch is switched on or off by means of a tilting lever that moves the movable contact that switches the circuit on or off in a snap manner. Lever switches are made without housing. On special request, multiple switches can be made as plates, on which, for example, a dozen or so switches are mounted next to each other.

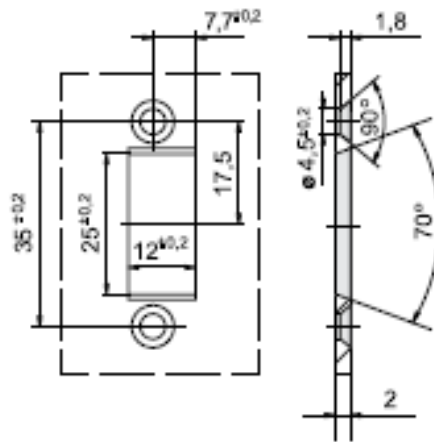
#### TECHNICAL DATA:

Parameter	Value
Rated insulation voltage	250V
Rated voltage and rated switching current - For AC 12 alternating current - For DC 12 direct current	230V/ 4A 110V / 6A
Mechanical life	10 <sup>4</sup>
Electrical endurance: AC DC	5000 2500
Frequency of switching	120 switches/h
Rated impulse withstand voltage U <sub>imp</sub>	4 kV
Type and highest rating of short-circuit protection	6A fast-acting fuse-element
Ambient temperature	- 40°C...+ 35°C
Weight	Z 0,075kg/ (±) 5% ZP – 1 0,076kg/ (±) 5% Zcm2 0,092kg/ (±) 5% ZP1cm2 0,093kg/ (±) 5%
Dimensions	Z 50 x 80 x 25 mm ZP – 1 50 x 80 x 35 mm Zcm2 72 x 80 x 25 mm ZP1cm2 72 x 80 x 35 mm

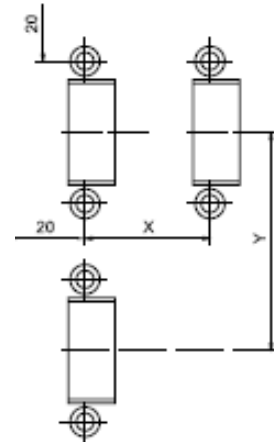
In conformance with the PN-EN 60947-1:2002+A2 and PN-EN 60947-5-1 standards.

## DIMENSIONS

Z i ZP-1



Assembly hole



Z: X min – 35; Y - 70  
 ZP-1: X min – 40; Y - 70

Zcm2 i ZP1cm2

