

# RADIO CONTROL SYSTEM KR-01

## DATA SHEET

no: KK-K\_KR-01



The radio control system is a device for wireless machine control. It consists of a transmitter and a receiver. The equipment is available in two voltage options . i.e. 230VAC and 24-48VAC.

The receiver operates at radio waves for transferring machine instructions, which catches all commands to be executed by a machine. If the radio transmission is interrupted, incorrect or false, the receiver will automatically stop the entire system.

## TECHNICAL DATA:

Parameter	Value
<b>PARAMETERS FOR BOTH TRANSMITTER AND RECEIVER</b>	
Operating frequency	ISM 434MHz
Number of channels	63
Transmission power	10mW
Typical range	50m*
Maximum range	80m/150m**
Degree of protection	IP65
<b>PARAMETERS FOR TRANSMITTER</b>	
Supply voltage $U_n$	2 - 3V
Minimum battery life	about 20h***
Maximum power consumption during normal operation	110mA
Battery power consumption when switched off	50 $\mu$ A****
Ambient temperature during operation	-20°C ÷ 55°C
Storage temperature	40°C ÷ 70°C
Dimensions	215x65x50mm
Weight	about 350g
<b>PARAMETERS FOR RECEIVER</b>	
Supply for the 230V option: - Supply voltage $U_z$ - Maximum supply current $I_{max}$	100-240V AC 0,2A
Supply for the 48V option: - Supply voltage $U_z$ - Maximum supply current $I_{max}$	18-60V AC 1A
Rated current (power) of safety relay contact load in category: AC1 AC15 DC13	6A/250VAC 3 A 6 A

Rated current (power) of function relay contact load in category: AC1 AC1 AC3 DC1	5A/250VAC 10A/125VAC 1250 VA 186W (single-phase motor) 5A/28VDC
Cable section	0.2-2.5 mm <sup>2</sup>
Safety relay mechanical durability	10 <sup>7</sup> cycles
Function relay mechanical durability	10 <sup>7</sup> cycles
Ambient temperature during operation	-20°C ÷ 55°C
Storage temperature	-40°C ÷ 70°C
Dimensions	225x175x80mm
Cable gland	PG21
Weight	about 1 kg


\*- the range depends on the surrounding conditions and may differ from the specified value

\*\* - with the external antennae, the range depends on the surrounding conditions and may differ from the specified value

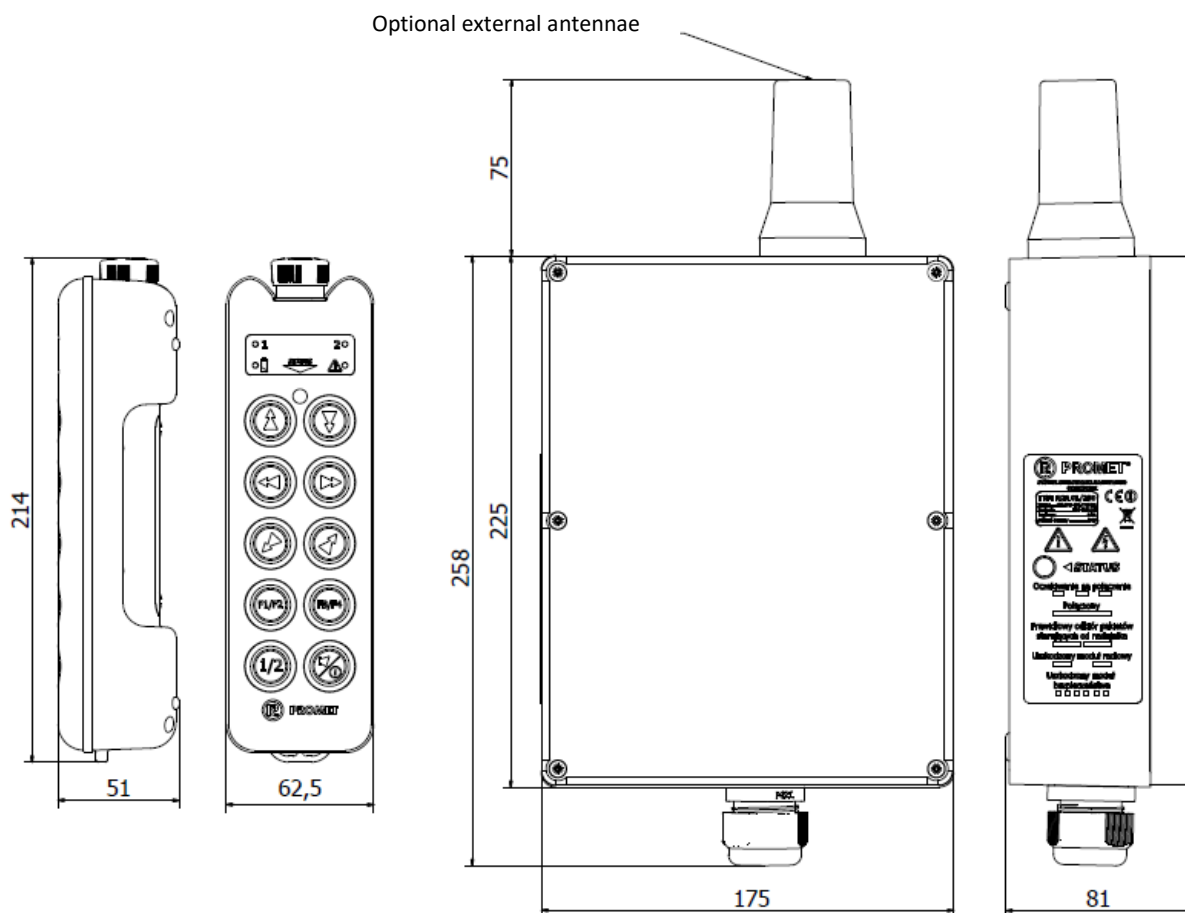
\*\*\* approximate time for the remote control supply with two NiMH AA batteries with 2000mAh capacity each

\*\*\*\* - with the "Emergency STOP" button switched on and after 2 minutes of inactivity

## TYPES OF RADIO CONTROL SYSTEM

	Description	Catalogue no.
	48V transmitter + receiver	KR48V-NO
	48V transmitter + receiver with external antennae	KR48V-NO-A
	230V transmitter + receiver	KR230V-NO
	230V transmitter + receiver with external antennae	W0-KR230V-NO-A

## DIMENSIONS



The radio control system complies with the directives: 2014/53 / UE (RED) and 2011/65 / UE (RoHS), in particular:

### RED:

Art. 3. 1 a (SAFETY):	PN-EN 60950-1:2007	(EN 6095-1:2006)
	PN-EN 60950-1:2007/A2:2014-05	(EN 60950-1:2006/A2:2013)
Art. 3. 1 b (EMC):	PN-ETSI EN 301 489-1 V1.9.2:2012	(ETSI EN 301 489-1 V1.9.2:2011)
	PN-ETSI EN 301 489-3 V2.1.0:2014-03	(ETSI EN 301 489-3 V2.1.0:2016)
Art. 3.2 (RADIO):	PN-ETSI EN 300 220-1 V2.4.1:2013-02	(ETSI EN 300 220-1 V2.4.1:2012)
	PN-ETSI EN 300 220-2 V2.3.1:2013-02	(ETSI EN 300 220-2 V2.3.1:2012)

### RoHS:

EN 50581:2012 (PN-EN 50581:2013-03)