

SIGNAL LAMPS D22

DATA SHEET

no: KK-L_D22





Signal lamps of D22 series (plastic body, monoblocks) are installed in standardized assembly holes $\varnothing 22.5\text{mm}$, which are drilled in panels, control and signal boards, or directly in bodies of equipment and machines. These devices can be used in various climatic zones. They can be installed in any position and used under roof cover in industrial environments (pollution level 2).


TECHNICAL DATA:

Parameter	Value
Insulation rated voltage U_i	250V
Rated voltage U_e	24-230V AC/DC
Power	1W
IP for over-desk part IP for under-desk part	IP 66/67 IP 00
Luminous intensity of lamps	1000 mcd
Cross-sections of terminals	1x or 2x LY 0,75-1,5mm ² 1x or 2x DY 1-1,5 mm ²
Maximum thickness of desk	6mm
Working temperature	N/2 -15...+30°C W/3 -30...+50°C
Type of operation	continuous
Frequency of flashing for flashing lamps	1,4 – 2,8 Hz

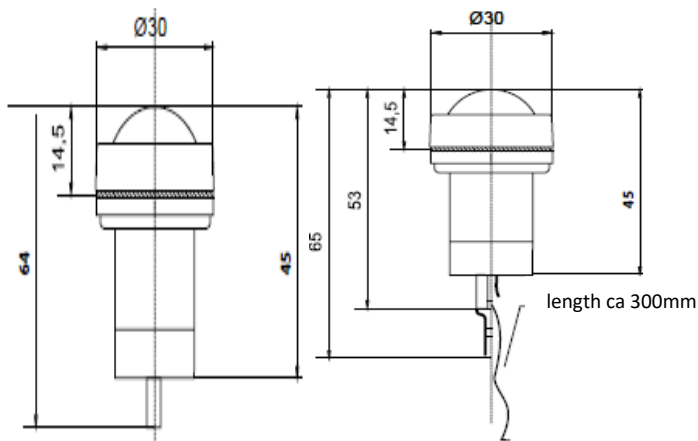
The product conforms to the following standard PN-EN 60947-5-1.

SIGNAL LAMPS D22 WITH LED

	Type	Designation	Colour	Weight [g]
	Lamp with convex glass cover, with sleeve terminals, continuous illumination IP66/67 All-purpose LED module	D22S c D22S z D22S g D22S n D22S b	red green yellow blue white	19
	Lamp with convex glass cover, with sleeve terminals, flashing IP66/67 All-purpose LED module	D22SB c D22SB z D22SB g D22SB n D22SB b	red green yellow blue white	19
	Lamp with convex glass cover, with connecting cable, continuous illumination IP66/67 All-purpose LED module	D22P c D22P z D22P g D22P n D22P b	red green yellow blue white	21
	Lamp with convex glass cover, with connecting cable, Flashing IP66/67 All-purpose LED module	D22PB c D22PB z D22PB g D22PB n D22PB b	red green yellow blue white	21
	Lamp with a metal nut, convex glass cover, with sleeve terminals, continuous illumination IP66/67 All-purpose LED module	D22MS c D22MS z D22MS g D22MS n D22MS b	red green yellow blue white	27
	Lamp with a metal nut, convex glass cover, with sleeve terminals, Flashing IP66/67 All-purpose LED module	D22MSB c D22MSB z D22MSB g D22MSB n D22MSB b	red green yellow blue white	27

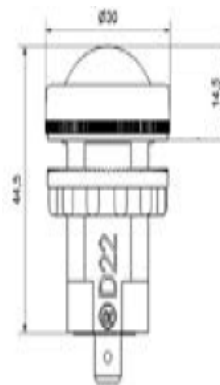
	<p>Lamp with a metal nut, convex glass cover, with connecting cable, continuous illumination</p> <p>IP66/67</p> <p>All-purpose LED module</p>	<p>D22MP c D22MP z D22MP g D22MP n D22MP b</p>	<p>red green yellow blue white</p>	<p>28</p>
	<p>Lamp with a metal nut, convex glass cover, with connecting cable, Flashing</p> <p>IP66/67</p> <p>All-purpose LED module</p>	<p>D22MPB c D22MPB z D22MPB g D22MPB n D22MPB b</p>	<p>red green yellow blue white</p>	<p>28</p>

DIMENSIONS

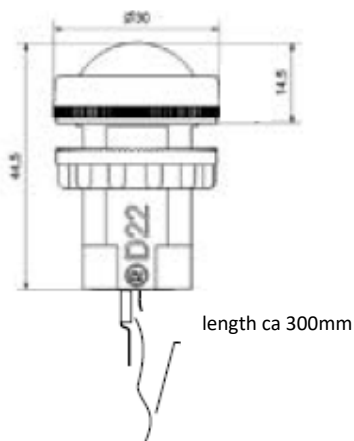


D22S, D22SB

D22P, D22PB



D22MS



D22MP