

SIGNAL LAMPS D30

DATA SHEET

no: KK-L_D30



Signal lamps of D30 series (metal body) are installed in standardized assembly holes $\varnothing 30.5\text{mm}$, which are drilled in panels, control and signal boards, or directly in bodies of equipment and machines. These devices can be used in various climatic zones. They can be installed in any position and used under roof cover in industrial environments (pollution level 2).

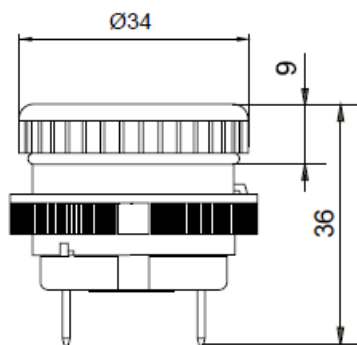
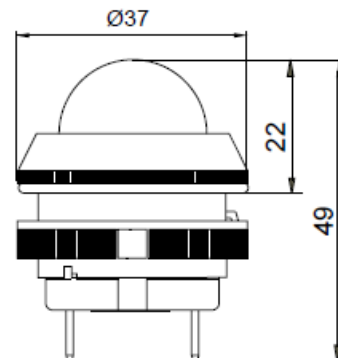
TECHNICAL DATA:

Parameter	Value
Insulation rated voltage U_i	250V
Rated voltage U_e	24-230V AC/DC
Power	1W
IP for over-desk part IP for under-desk part	IP 66/67 IP 00
Luminous intensity of lamps	1000 mcd
Cross-sections of terminals	1x or 2x LY 0,75-1,5mm ² 1x or 2x DY 1-1,5 mm ²
Maximum thickness of desk	6mm
Working temperature	N/2 -15...+30°C W/3 -30...+50°C
Type of operation	continuous
Frequency of flashing for flashing lamps	1,4 – 2,8 Hz

The product conforms to the following standard PN-EN 60947-5-1.

SIGNAL LAMPS D30 WITH LED

	Type	Designation	Colour	Weight [g]
	Lamp with flat glass cover, with sleeve terminals, continuous illumination IP66/67 All-purpose LED module	D30 c D30 z D30 g D30 n D30 b	red green yellow blue white	37
	Lamp with flat glass cover, with sleeve terminals, flashing IP66/67 All-purpose LED module	D30B c D30B z D30B g D30B n D30B b	red green yellow blue white	37
	Lamp with convex glass cover, with sleeve terminals, continuous illumination IP66/67 All-purpose LED module	D30S c D30S z D30S g D30S n D30S b	red green yellow blue white	53
	Lamp with convex glass cover, with sleeve terminals, flashing IP66/67 All-purpose LED module	D30SB c D30SB z D30SB g D30SB n D30SB b	red green yellow blue white	53

DIMENSIONS

D30

D30S