

SIGNAL LAMPS L22

DATA SHEET

no: KK-L_L22



Signal lamps of L22 series (plastic body) are installed in standardized assembly holes $\varnothing 22.5\text{mm}$, which are drilled in panels, control and signal boards, or directly in bodies of equipment and machines. These devices can be used in various climatic zones. They can be installed in any position and used under roof cover in industrial environments (pollution level 2).

TECHNICAL DATA:

Parameter	Value
Insulation rated voltage U_i - for 500V lamps - for the others	600V 250V
Rated voltage U_e BA9s bulb BA9s LED All-purpose LED module 500V diode module	6V, 12V, 24V, 48V, 110V, 230V AC 24V AC/DC, 230V AC 24-230V AC/DC 500V AC
Power BA9s bulb BA9s LED All-purpose LED module 500V diode module	2W for 6-48V AC; 2,4 ...3W for 110V, 230V AC 0,5W for 24V AC/DC; 0,7W for 230V AC 1W 5W
IP for over-desk part IP for under-desk part	IP 66/67, IP 20
Luminous intensity of lamps - Lamps with bulbs - Lamps with LEDs	100...400 mcd 1000 mcd
Working temperature	N/2 -15...+30°C W/3 -30...+50°C
Cross-sections of terminals	1x or 2x LY 0,75 – 1,5 mm ² 1x or 2x DY 1,0 – 1,5 mm ²
Maximum thickness of desk	6mm
Type of operation - for lamps with bulbs - for lamps with LEDs	Discontinuous (bulbs can operate continuously, if their capacity is not higher than 2W) Continuous
Frequency of flashing for flashing lamps	1,4 – 2,8 Hz

The product conforms to the following standard PN-EN 60947-5-1.

SIGNAL LAMPS L22 WITH BULBS

	Type	Designation	Colour	Weight [g]
	Lamp with flat glass cover IP66/67 Type of cap: BA9s ¹	L22/... ² c L22/... ² z L22/... ² g L22/... ² n L22/... ² b	red green yellow blue ³⁾ white	41
	Lamp with flat square glass cover IP66/67 Type of cap: BA9s ¹	L22K/... ² c L22K/... ² z L22K/... ² g L22K/... ² n L22K/... ² b	red green yellow blue ³⁾ white	43
	Lamp with conical glass cover IP66/67 Type of cap: BA9s ¹	L22W/... ² c L22W/... ² z L22W/... ² g L22W/... ² n L22W/... ² b	red green yellow blue ³⁾ white	39
	Lamp with elliptic glass cover IP66/67 Type of cap: BA9s ¹	L22G/... ² c L22G/... ² z L22G/... ² g L22G/... ² n L22G/... ² b	red green yellow blue ³⁾ white	40


¹ It is possible to use LED with BA9s cap (for 24V AC/DC and 230V AC).

² Instead of dots, it is necessary to place rated voltage e.g. L22/24V c.



³ It is recommended to use LED backlight if the blue colour is used.

SIGNAL LAMPS L22 WITH LED

	Type	Designation	Colour	Weight [g]
	Lamp with flat glass cover, with screw terminals, continuous illumination IP66/67 All-purpose LED module	L22D c L22D z L22D g L22D n L22D b	red green yellow blue white	40
	Lamp with flat glass cover, with screw terminals, flashing IP66/67 All-purpose LED module	L22DB c L22DB z L22DB g L22DB n L22DB b	red green yellow blue white	40
	Lamp with flat square glass cover, with screw terminals, continuous illumination IP66/67 All-purpose LED module	L22KD c L22KD z L22KD g L22KD n L22KD b	red green yellow blue white	42
	Lamp with flat square glass cover, with screw terminals, flashing IP66/67 All-purpose LED module	L22KDB c L22KDB z L22KDB g L22KDB n L22KDB b	red green yellow blue white	42
	Lamp with conical glass cover, with screw terminals, continuous illumination IP66/67 All-purpose LED module	L22WD c L22WD z L22WD g L22WD n L22WD b	red green yellow blue white	38
	Lamp with conical glass cover, with screw terminals, Flashing IP66/67 All-purpose LED module	L22WDB c L22WDB z L22WDB g L22WDB n L22WDB b	red green yellow blue white	38

	Lamp with elliptic glass cover, with screw terminals, continuous illumination IP66/67 All-purpose LED module	L22GD c L22GD z L22GD g L22GD n L22GD b	red green yellow blue white	39
	Lamp with elliptic glass cover, with screw terminals, Flashing IP66/67 All-purpose LED module	L22GDB c L22GDB z L22GDB g L22GDB n L22GDB b	red green yellow blue white	39

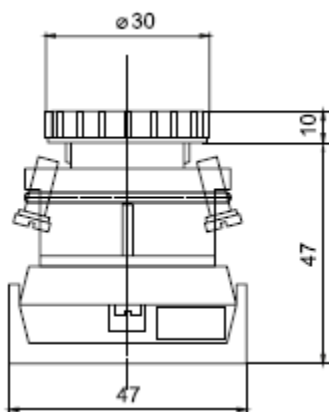
SIGNAL LAMPS L22 TWO-COLOUR WITH LED

	Type	Designation	Colour	Weight [g]
	Two-colour lamp with a colourless conical glass cover IP66/67 All-purpose LED module	L22WD cz L22WD gc L22WD gz	red-green yellow-red yellow-green	38
	Two-colour lamp with a colourless elliptic glass cover IP66/67 All-purpose LED module	L22GD cz L22GD gc L22GD gz	red-green yellow-red yellow-green	39

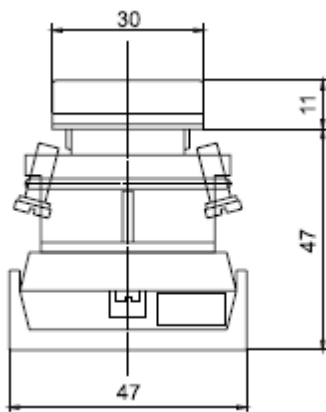
SIGNAL LAMPS L22 WITH LED, SUPPLIED WITH VOLTAGE 500V

	Type	Designation	Colour	Weight [g]
	Lamp with flat glass cover, with screw terminals, continuous illumination IP66/67 500V diode module	L22DHV c L22DHV z L22DHV g L22DHV n L22DHV b	red green yellow blue white	40
	Lamp with flat square glass cover, with screw terminals, continuous illumination IP66/67 500V diode module	L22KDHV c L22KDHV z L22KDHV g L22KDHV n L22KDHV b	red green yellow blue white	42
	Lamp with conical glass cover, with screw terminals, continuous illumination IP66/67 500V diode module	L22WDHV c L22WDHV z L22WDHV g L22WDHV n L22WDHV b	red green yellow blue white	38
	Lamp with elliptic glass cover, with screw terminals, continuous illumination IP66/67 500V diode module	L22GDHV c L22GDHV z L22GDHV g L22GDHV n L22GDHV b	red green yellow blue white	39

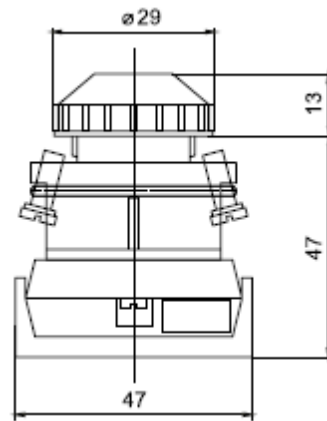
DIMENSIONS



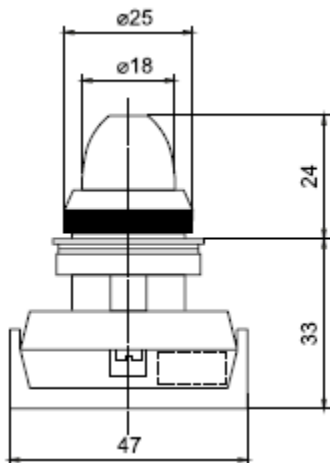
L22, L22D, L22DB, L22DHV



L22K, L22KD, L22KDB,
L22KDHV



L22W, L22WD, L22WDB
L22WDHV



L22G, L22GD, L22GDB

L22GDHV