

# SIGNAL LAMPS MD22

## DATA SHEET

no: KK-L\_MD22





Signal lamps of MD22 series (plastic body, monoblocks) are installed in standardized assembly holes  $\varnothing 22.5\text{mm}$ , which are drilled in panels, control and signal boards, or directly in bodies of equipment and machines. These devices can be used in various climatic zones. They can be installed in any position and used under roof cover in industrial environments (pollution level 2).

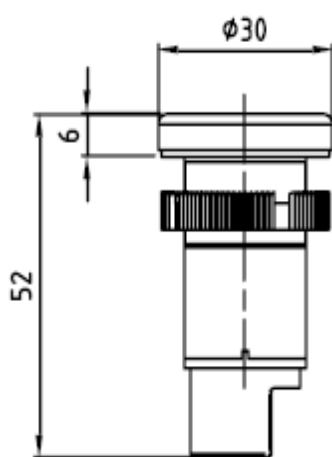
#### TECHNICAL DATA:

Parameter	Value
Insulation rated voltage $U_i$	250V
Rated voltage $U_e$	24-230V AC/DC
Power	1W
IP for over-desk part IP for under-desk part	IP 66/67 IP 20
Luminous intensity of lamps	1000 mcd
Cross-sections of terminals	1x LY 0,34 – 0,75 mm <sup>2</sup> 1x DY 0,34 – 1,0 mm <sup>2</sup>
Maximum thickness of desk	6mm
Working temperature	<b>N/2</b> -15...+30°C <b>W/3</b> -30...+50°C
Type of operation	continuous
Frequency of flashing for flashing lamps	1,4 – 2,8 Hz

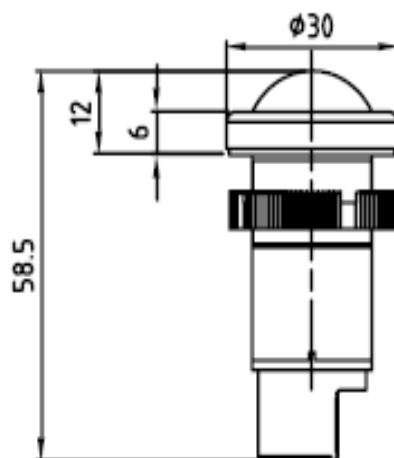
The product conforms to the following standard PN-EN 60947-5-1.

**SIGNAL LAMPS MD22 WITH LED**

	Type	Designation	Colour	Weight [g]
	Lamp with flat glass cover, continuous illumination  IP66/67  All-purpose LED module	MD22P c MD22P z MD22P g MD22P n MD22P b	red green yellow blue white	20
	Lamp with flat glass cover, flashing  IP66/67  All-purpose LED module	MD22PB c MD22PB z MD22PB g MD22PB n MD22PB b	red green yellow blue white	20
	Lamp with convex glass cover, continuous illumination  IP66/67  All-purpose LED module	MD22S c MD22S z MD22S g MD22S n MD22S b	red green yellow blue white	23
	Lamp with convex glass cover, flashing  IP66/67  All-purpose LED module	MD22SB c MD22SB z MD22SB g MD22SB n MD22SB b	red green yellow blue white	23

**DIMENSIONS**


MD22P, MD22PB



MD22S, MD22SB