

# SIGNAL LAMPS NEF22H

## DATA SHEET

no: KK-L\_NEF22H



Signal lamps of NEF22H series (plastic body, metal front nut) are installed in standardized assembly holes  $\varnothing 22.5\text{mm}$ , which are drilled in panels, control and signal boards, or directly in bodies of equipment and machines. These devices can be used in various climatic zones. They can be installed in any position and used under roof cover in industrial environments (pollution level 2).

### Signal lamp NEF22H consists of:

- over-desk part
- intermediate element EF22
- an all-purpose EF22L backlight block

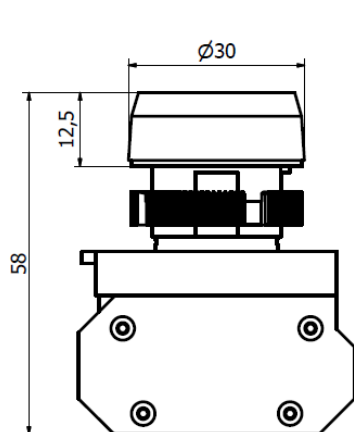
### TECHNICAL DATA:

Parameter	Value
Insulation rated voltage $U_i$	250V
Rated voltage $U_e$	24-230V AC/DC
Power	1W
IP for over-desk part IP for under-desk part	IP 66/67 IP 20
Luminous intensity of lamps	1000 mcd
Cross-sections of terminals	1x or 2x LY 0,75 – 1,5 mm <sup>2</sup> 1x or 2x DY 1,0 – 1,5 mm <sup>2</sup>
Maximum thickness of desk	6mm
Working temperature	-40...+50°C
Type of operation	continuous
Frequency of flashing for flashing lamps	1,4 – 2,8 Hz

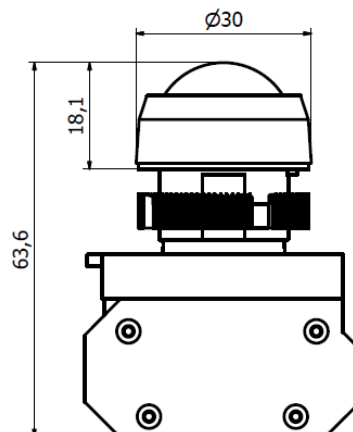
The product conforms to the following standard PN-EN 60947-5-1.

**SIGNAL LAMPS NEF22M WITH LED**

	Type	Designation	Colour	Weight [g]
	Lamp with flat glass cover, with screw terminals, continuous illumination	NEF22HLD c NEF22HLD z NEF22HLD g NEF22HLD s NEF22HLD n NEF22HLD b	red green yellow black blue white	35
	All-purpose LED backlight block			
	Lamp with flat glass cover, with screw terminals, flashing	NEF22HLDB c NEF22HLDB z NEF22HLDB g NEF22HLDB s NEF22HLDB n NEF22HLDB b	red green yellow black blue white	35
	All-purpose LED backlight block			
	Lamp with convex glass cover, with screw terminals, continuous illumination	NEF22HLDS c NEF22HLDS z NEF22HLDS g NEF22HLDS s NEF22HLDS n NEF22HLDS b	red green yellow black blue white	36
	All-purpose LED backlight block			
	Lamp with convex glass cover, with screw terminals, flashing	NEF22HLDSB c NEF22HLDSB z NEF22HLDSB g NEF22HLDSB s NEF22HLDSB n NEF22HLDSB b	red green yellow black blue white	36
	All-purpose LED backlight block			

**DIMENSIONS**


NEF22H - LD, LDB



NEF22H - LDS, LDSB