

SIGNAL LAMPS NEF22M

DATA SHEET

no: KK-L_NEF22M



Signal lamps of NEF22M series (metal body) are installed in standardized assembly holes $\varnothing 22.5\text{mm}$, which are drilled in panels, control and signal boards, or directly in bodies of equipment and machines. These devices can be used in various climatic zones. They can be installed in any position and used under roof cover in industrial environments (pollution level 2).

Signal lamp NEF22M consists of:

- over-desk part
- intermediate element EF22
- an all-purpose EF22L backlight block

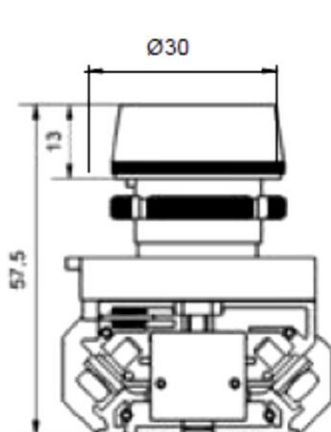
TECHNICAL DATA:

Parameter	Value
Insulation rated voltage U_i	250V
Rated voltage U_e	24-230V AC/DC
Power	1W
IP for over-desk part IP for under-desk part	IP 66/67 IP 20
Luminous intensity of lamps	1000 mcd
Cross-sections of terminals	1x or 2x LY 0,75 – 1,5 mm ² 1x or 2x DY 1,0 – 1,5 mm ²
Maximum thickness of desk	6mm
Working temperature	-40...+50°C
Type of operation	continuous
Frequency of flashing for flashing lamps	1,4 – 2,8 Hz

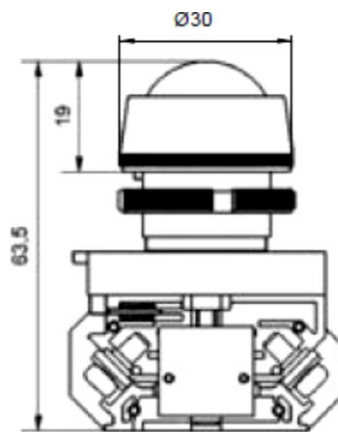
The product conforms to the following standard PN-EN 60947-5-1.

SIGNAL LAMPS NEF22M WITH LED

	Type	Designation	Colour	Weight [g]
	Lamp with flat glass cover, with screw terminals, continuous illumination	NEF22MLD c NEF22MLD z NEF22MLD g NEF22MLD s NEF22MLD n NEF22MLD b	red green yellow black blue white	56
	All-purpose LED backlight block			
	Lamp with flat glass cover, with screw terminals, flashing	NEF22MLDB c NEF22MLDB z NEF22MLDB g NEF22MLDB s NEF22MLDB n NEF22MLDB b	red green yellow black blue white	56
	All-purpose LED backlight block			
	Lamp with convex glass cover, with screw terminals, continuous illumination	NEF22MLDS c NEF22MLDS z NEF22MLDS g NEF22MLDS s NEF22MLDS n NEF22MLDS b	red green yellow black blue white	56
	All-purpose LED backlight block			
	Lamp with convex glass cover, with screw terminals, flashing	NEF22MLDSB c NEF22MLDSB z NEF22MLDSB g NEF22MLDSB s NEF22MLDSB n NEF22MLDSB b	red green yellow black blue white	56
	All-purpose LED backlight block			

DIMENSIONS


NEF22MLD, NEF22MLDB



NEF22MLDS, NEF22MLDSB