

ACCESSORIES FOR NEF22 AND NEF30

DATA SHEET

no: KK-NEF_accessories



IDENTIFICATION PLATES TI

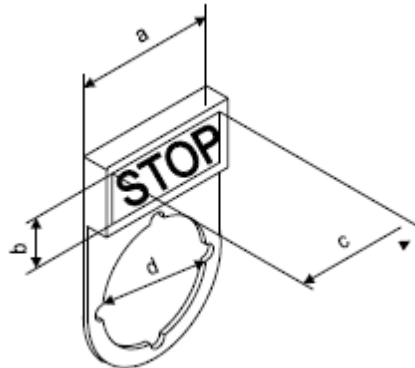
Designed for $\varnothing 22$ and $\varnothing 30$ mm signal lamps and control buttons.



TI 22



TI 30



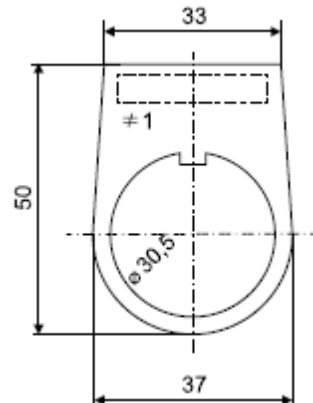
Type of plate	Dimensions			
Designation	a	b	c	d
W0-TI22	29,5	12	25	$\varnothing 22,5$
W0-TI30	37,0	15	32	$\varnothing 30,5$

INFORMATION PLATES NEF

Designed for $\varnothing 30$ mm signal lamps and control buttons.



TI II

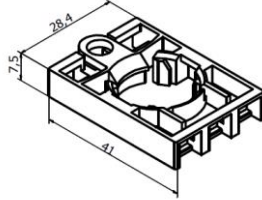


Designation	Inscription	Designation	Inscription
W0-TI I	START	W0-TI VII	w górę
W0-TI II	STOP	W0-TI VIII	w dół
W0-TI III	I	W0-TI IX	w prawo
W0-TI IV	O	W0-TI X	w lewo
W0-TI V	O I	W0-TI XI	bez napisu
W0-TI VI	I O II		




INTERMEDIATE ELEMENT EF22

Necessary element of NEF22 push buttons (plastic, in black colour).

It is used to connect the individual components of the button (drive, switching element, backlight block).
(no. for order W0-KORPUS POŚREDNI EF22)



SWITCHING ELEMENTS EF22G AND BACKLIGHT BLOCKS EF22L FOR PUSH BUTTONS AND SIGNAL LAMPS NEF22

	Type	Designation	Colour	Weight [g]
	Switching element EF22GX (1NO) IP20	EF22GX	transparent/green	11
	Switching element EF22GY (1NC) With effective opening IP 20	EF22GY	transparent/red	12
	All-purpose LED backlight block, operating under 24-230V AC/DC, continuous illumination IP 20	EF22LN c EF22LN z EF22LN g EF22LN n EF22LN b	red green yellow blue white	12
	All-purpose LED backlight block, operating under 24-230V AC/DC, flashing light IP 20	EF22LB c EF22LB z EF22LB g EF22LB n EF22LB b	red green yellow blue white	12

SWITCHING ELEMENTS EF30 FOR PUSH BUTTONS NEF30

					
Type of EF30	X NO	Y NC	XY NO i NC	2X 2 NO	2Y 2 NC
No. for order	W0-ŁEF-X	W0-ŁEF-Y	W0-ŁEF-XY	W0-ŁEF-2X	W0-ŁEF-2Y
Weight [g]⁴⁾	22	22	28	28	28

⁴⁾ Weight of connecting elements provided with screws.

BULB EXTRACTOR

(no. for order [W0-WYC.Ż.E23066](#))

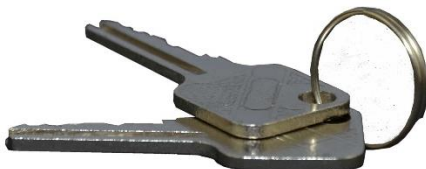
The bulb extractor is used to pull out and put in BA9s and BA7s bulbs.



SET OF KEYS

(no. for order [TK-KLUCZYK043.110](#))

The set of keys 043.110 (2 pcs.) for control buttons of NEF30 and N series and for KS control boxes.







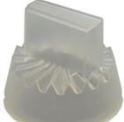
RUBBER SEAL FOR SEALED CONTROL BUTTONS NEF30

(no. for order TK-U.GUM.NEF-3501)

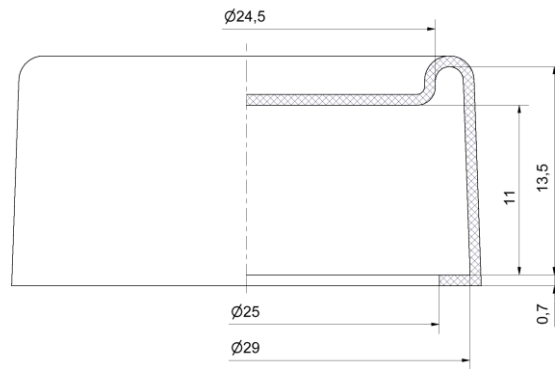


SILICON SPLASH COVERS

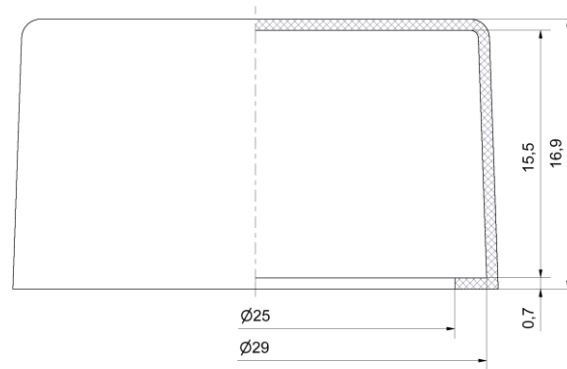
Silicon splash covers are intended to protect drives with covered and protruding buttons of the NEF22 and NEF30 series as well as knob-operated buttons of the NEF22 series against the impact of water and dust. OK covers are destined for covered buttons, OW for extending buttons and OP for knob-operated buttons. Silicon splash covers provide the IP67 protection class.

	Type of cover (no. for order)	Application
	TK-OSŁONA OK 22MM	The OK22 splash cover is intended to protect drives of the NEF22 covered buttons
	TK-OSŁONA OW 22MM	The OW22 splash cover is intended to protect drives of the NEF22 extending buttons
	TK-OSŁONA OK 30MM	The OK30 splash cover is intended to protect drives of the NEF30 covered buttons
	TK-OSŁONA OW 30MM	The OW30 splash cover is intended to protect drives of the NEF30 extending buttons
	TK-OSŁONA OP 22MM	The OP22 splash cover is intended to protect drives of the NEF22 knob-operated buttons

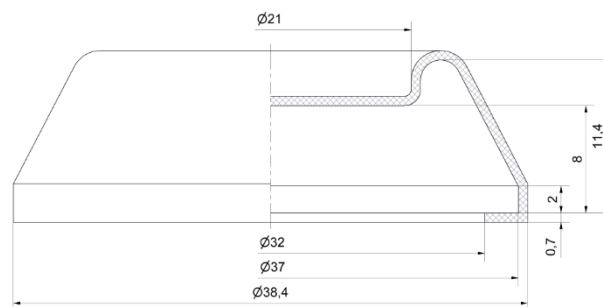
DIMENSIONS OF SPLASH COVER



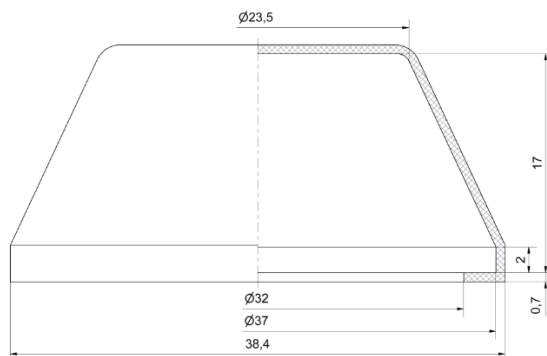
OK22



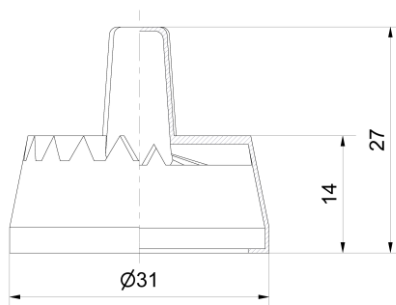
OW22



OK30



OW30

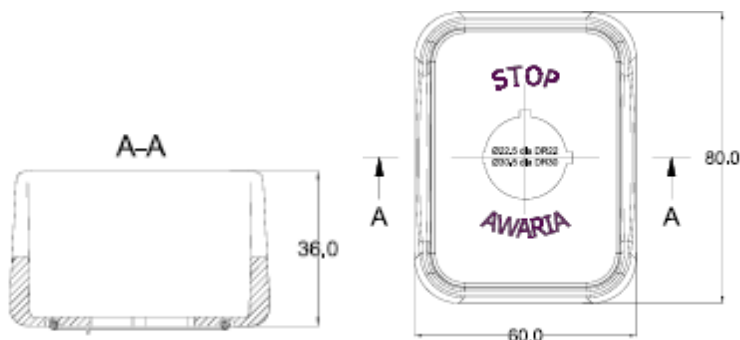


OP22

DR22 SHIELD

(no. for order W0-OSŁONA DR 22MM)

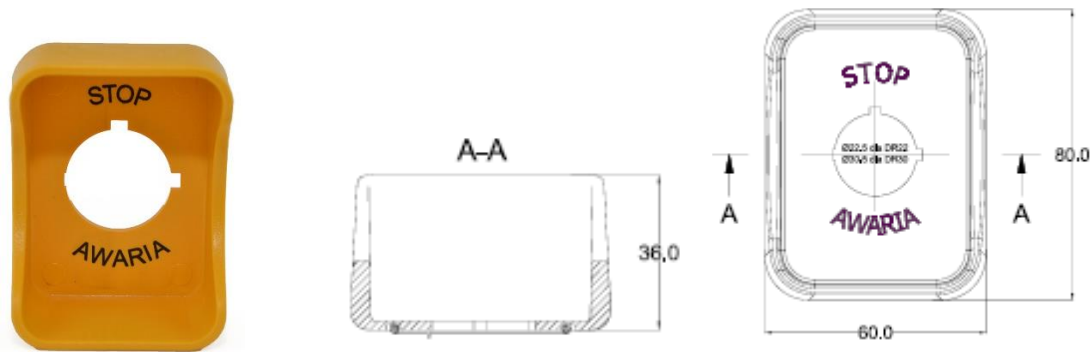
The DR22 shield is intended for buttons with an assembly diameter of 22mm. Thanks to the using of a rubber basket at the bottom of the shield, it is possible to obtain the IP65 protection class. The shield is intended to protect safety buttons against inadvertent activation. It can be applied for palm buttons, provided that the diameter of the mushroom head does not exceed 50mm.



DR30 SHIELD

(no. for order W0-OSŁONA DR 30MM)

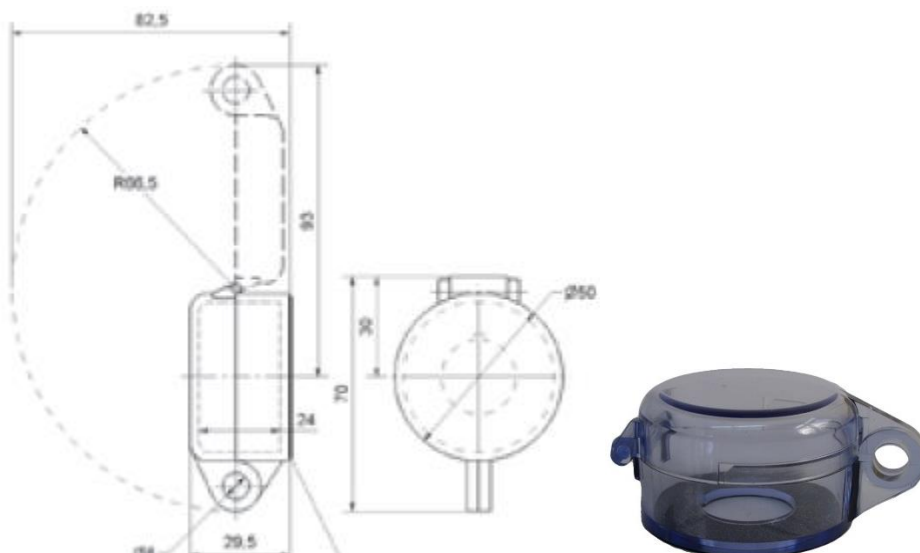
The DR22 shield is intended for buttons with an assembly diameter of 30mm. Thanks to the using of a rubber basket at the bottom of the shield, it is possible to obtain the IP65 protection class. The shield is intended to protect safety buttons against inadvertent activation. It can be applied for palm buttons, provided that the diameter of the mushroom head does not exceed 50mm.



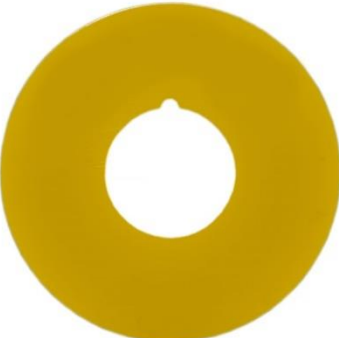
KWD SHIELD

(no. for order TK-OSŁONA KWD 22MM)

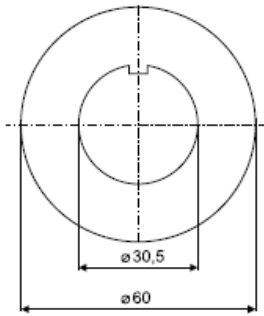
The shield is intended for covered, protruding and palm buttons with the assembly diameter of 22mm. Thanks to the using of a rubber basket at the bottom of the shield, it is possible to obtain the IP65 protection class. It is possible to lock the shield with a padlock. The shield is intended to protect safety buttons against inadvertent activation, or to prevent unauthorized use.



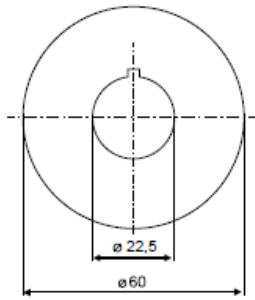
YELLOW RINGS TO MARK EMERGENCY BUTTONS

	No. for order	Description
	W0-PIERŚC.ŻÓŁTE DR	Yellow rings Ø30 mm intended for NEF30 buttons.
	W0-PIERŚC.ŻÓŁTE DR STOP	Yellow rings Ø30 mm, intended for NEF30 buttons. They include STOP-FAILURE inscription.
	W0-PIERŚC.ŻÓŁTE DR/P22	Yellow rings Ø22 mm, intended for NEF22 buttons
	W0-PIERŚC.ŻÓŁTE DR STOP/FI22	Yellow rings Ø22 mm, intended for NEF22 buttons. They include STOP-FAILURE inscription.

DIMENSIONS OF YELLOW RINGS




For NEF30

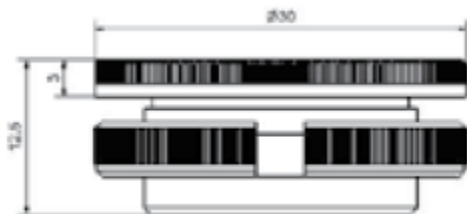


For NEF22

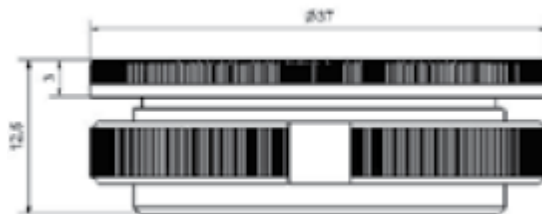
HOLE COVERS

	No. for order	Description
	W0-ZAŚLEPKA 22	A metal stopper for $\varnothing 22$ mm holes.
	W0-ZAŚLEPKA 30	A metal stopper for $\varnothing 30$ mm holes.

DIMENSIONS OF HOLE COVERS




A metal stopper $\varnothing 22$ mm




A metal stopper $\varnothing 30$ mm

ASSEMBLY WRENCHES


	No. for order	Description
	W0-KLUCZ NEF22	An assembly wrench for $\varnothing 22$ mm buttons.
	W0-KLUCZ NEF30	An assembly wrench for $\varnothing 30$ mm buttons.

EARTHING RINGS FOR NEF22M AND NEF30 CONTROL BUTTONS

	No. for order	Description
	W0-PIERŚC.UZIEM.FI22	Earthing ring for NEF22M control buttons (5 pcs.)
	W0-PIERŚC.UZIEM.FI30	Earthing ring for NEF30 control buttons (5 pcs.)

BULBS BA9s

They are used as a backlight element for control buttons and signal lamps of the NEF30 series. They are available in bulb and LED versions with BA9s base.

	No. for order	
	BULB	LED
	TK-Ż BA9S <input type="checkbox"/> (set of 5 pcs.) <input type="checkbox"/> 6V, 12V, 24V, 48V, 60V, 130V, 220V	TK-LED-BA9S- <input type="checkbox"/> <input type="checkbox"/> 024 for 24V AC/DC <input type="checkbox"/> 230 for 230V AC B – white C – red G – yellow N – blue Z - green

SPARE BUTTONS FOR PUSH BUTTONS NEF30

Button type	No. for order
NEF30 – K <input type="checkbox"/> <input type="checkbox"/> C-red <input type="checkbox"/> Z-green <input type="checkbox"/> G-yellow <input type="checkbox"/> S-black <input type="checkbox"/> N-blue <input type="checkbox"/> B-white	P0-12-010705 C P0-12-010705 Z P0-12-010705 G P0-12-010705 S P0-12-010705 N P0-12-010705 B
NEF30 – UK <input type="checkbox"/> <input type="checkbox"/> C-red <input type="checkbox"/> Z-green <input type="checkbox"/> G-yellow <input type="checkbox"/> S-black <input type="checkbox"/> N-blue <input type="checkbox"/> B-white	P0-12-010707 C P0-12-010707 Z P0-12-010707 G P0-12-010707 S P0-12-010707 N P0-12-010707 B
NEF30 – W <input type="checkbox"/> <input type="checkbox"/> C-red	P0-12-010717 C

Z-green G-yellow S-black N-blue B-white	P0-12-010717 Z P0-12-010717 G P0-12-010717 S P0-12-010717 N P0-12-010717 B
NEF30 – UW <input type="checkbox"/> <input type="checkbox"/> C-red Z-green G-yellow S-black N-blue B-white	P0-12-010716 C P0-12-010716 Z P0-12-010716 G P0-12-010716 S P0-12-010716 N P0-12-010716 B
NEF30 – D <input type="checkbox"/> <input type="checkbox"/> C-red Z-green S-black G-yellow	P0-12-010703 C P0-12-010703 Z P0-12-010703 S P0-12-010703 G
NEF30 – UD <input type="checkbox"/> <input type="checkbox"/> C-red Z-green S-black G-yellow	P0-12-010701 C P0-12-010701 Z P0-12-010701 S P0-12-010701 G
NEF30 – KL, NEF30-KLD, NEF30-WL, NEF30-WLD <input type="checkbox"/> <input type="checkbox"/> C-red Z-green G-yellow N-blue B-white	P0-12-010706 C P0-12-010706 Z P0-12-010706 G P0-12-010706 N P0-12-010706 B
NEF30 – UKL, NEF30-UKLD, NEF30-UWL, NEF30-UWLD <input type="checkbox"/> <input type="checkbox"/> C-red Z-green G-yellow N-blue B-white	P0-12-010709 C P0-12-010709 Z P0-12-010709 G P0-12-010709 N P0-12-010709 B

SPARE GLASSES FOR SIGNAL LAMPS NEF30

Glass type	No. for order
NEF30 – Lp, NEF30-LpT, NEF30LD, NEF30LDB, NEF30D, D30, D30B, NEF30LDHV <input type="checkbox"/> <input type="checkbox"/> C-red Z-green G-yellow N-blue B-white	P0-12-011123 C P0-12-011123 Z P0-12-011123 G P0-12-011123 N P0-12-011123 B
NEF30 – Le, NEF30-LeT, NEF30LDS, NEF30LDSB, D30S, D30SB, NEF30LDS, NEF30LDShV, NEF30FLASH <input type="checkbox"/> <input type="checkbox"/> C-red Z-green	P0-12-011605 C P0-12-011605 Z

G-yellow N-blue B-white	P0-12-011605 G P0-12-011605 N P0-12-011605 B
NEF30 – LC □ □ C-red Z-green G-yellow N-blue B-white	P0-12-011128 C P0-12-011128 Z P0-12-011128 G P0-12-011128 N P0-12-011128 B

SPARE GLASSES FOR SIGNAL LAMPS L22

Glass type	No. for order
L22G, L22GT, L22GD, L22GD, L22GDB, L22GDHV □ □ C-red Z-green G-yellow N-blue B-white	P0-12-011121 C P0-12-011121 Z P0-12-011121 G P0-12-011121 N P0-12-011121 B
L22, L22D, L22DB, L22DHV □ □ C-red Z-green G-yellow N-blue B-white	P0-12-011201 C P0-12-011201 Z P0-12-011201 G P0-12-011201 N P0-12-011201 B
L22K, L22KD, L22KDB, L22KDHV □ □ C-red Z-green G-yellow N-blue B-white	P0-12-011202 C P0-12-011202 Z P0-12-011202 G P0-12-011202 N P0-12-011202 B
L22W, L22WD, L22WDB, L22WDHV □ □ C-red Z-green G-yellow N-blue B-white	P0-12-011203 C P0-12-011203 Z P0-12-011203 G P0-12-011203 N P0-12-011203 B
L22WD (two-colour) □ □ CZ-red green GC-yellow red GZ- yellow green	P0-12-011203 CZ P0-12-011203 GC P0-12-011203 GZ
L22GD (two-colour) □ □ CZ-red green GC-yellow red GZ- yellow green	P0-12-011121 CZ P0-12-011121 GC P0-12-011121 GZ
D22S, D22SB, D22P, D22PB, D22MS, D22MP, MD22S, MD22SB □ □ C-red Z-green G-yellow N-blue B-white	P0-10-011103 C P0-10-011103 Z P0-10-011103 G P0-10-011103 N P0-10-011103 B

MD22P, MD22PB □

- C-red
- Z-green
- G-yellow
- N-blue
- B-white

P0-31-011601 C
P0-31-011601 Z
P0-31-011601 G
P0-31-011601 N
P0-31-011601 B