

PD SMOKE VENT BUTTONS

DATA SHEET

no: KK-PPOŻ_PD



Manual smoke vent button II PD is destined for working as part of Smoke Extraction Systems (control of smoke vents) with local 3-LED light signaling. Additionally, II PD type vent button is equipped with "RESET" function as well as with terminal for series and terminating resistors. Pressing the button makes the LEDs emit continuous light and indicate the following: detection (green), failure (yellow), and activation (red). The button is equipped with passive electronic components.

The product meets the requirements for products serving to ensure public safety or protection of health and life and property (Journal of Laws of 2007/143, item 1002, Journal of Laws of 2010/85, item 553.)

The product is in accordance with Technical Approval AT-0402- 0327/2011/2016 2nd edition, Certificate of Admission no 2880/2017, National Certificate of Stability of Utility Properties no 063-UWB-0009 and National Property Declaration no 01/2017.

TECHNICAL DATA:

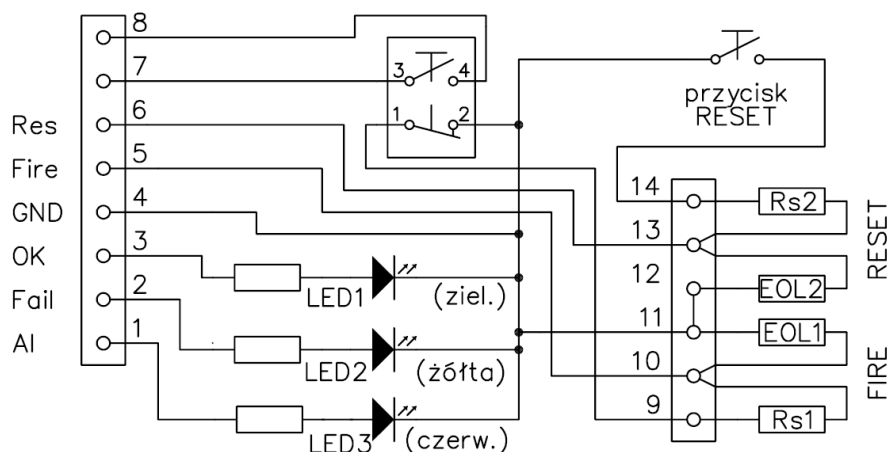
Parameter	Value
Insulation rated voltage (U_i)	500 V
Rated switching currents (I_e)	AC15 Ue 230V/400V 6A/4A DC13 Ue 24V/110V/220V 4A/1A/0,25A
Signaling rated voltage (U_s)	24V DC
Maximum effective resistance of contacts	10 mΩ
Cross-section of the connected external conductors	1xLY 0,34...1,5mm ² or 2xLY 0,34...1mm ² 1xDY 0,34...1,5mm ² or 2xDY 0,34...1mm ²
Cover protection	IP54
Range of working temperatures	-10°C to +55°C

TYPES OF MANUAL FRE ALARM CALL POINT

PD ____ 3 XY P V2
M – with a hammer for breaking glass
D – without a hammer

CIRCUIT DIAGRAMS

II PD M/D 3 XY



SPARE PARTS

SN PROMET offers the following products:

- A complete set of glass panels – 5 pcs, catalogue no. W0-SZYBKA DO ROPA
- A hammer with a chain - catalogue no. W0-MŁOTECZEK DO ROPA

DIMENSIONS

