

PUSH BUTTONS N (Ø38)

DATA SHEET

no: KK-P_N





Control buttons of the N series with plastic bodies are intended for installation in standardized $\varnothing 38.5\text{mm}$ holes, in numerous types of control and signal equipment or directly into bodies of machines and equipment.

TECHNICAL DATA:



Parameter	Value
Insulation rated voltage U_i	500V
Rated voltages and switching currents per utilization category I_e - U_e 230V/400V/500V (AC15) - U_e 24V/110V/220V (DC13)	6A / 4A / 2,5A 4A / 1A / 0,25A
Rated impulse withstand voltage U_{imp}	2500V
Limited withstand current	1000A
Mechanical life: - for return drives - for interlocked drives	$1,2 \times 10^6$ 10^4
Rated frequency of switching	600 switches/h
IP for button drives IP for under-desk part	IP 30, 66 IP 00
Cross-sections of terminals	1x or 2x LY 0,75 – 1,5 mm ² 1x or 2x DY 1,0 – 1,5 mm ²
Working temperature	N2 -15°C...+30°C W3 -30°C...+50°C

The product conforms to the following standard PN-EN 60947-5-1. Drives of emergency interlocked buttons conform to standard PN-EN 60947-5-5.



RETURN BUTTONS N – 1KP

	Type	Switching element	Designation	Colour	Weight [g]
 IP30	Return drive with a covered button	11 XY	N1-1KP c N1-1KP z N1-1KP g N1-1KP n N1-1KP s	red green yellow blue black	64
 IP30	Return drive with a covered button	22 2X2Y	N2-1KP c N2-1KP z N2-1KP g N2-1KP n N2-1KP s	red green yellow blue black	87



RETURN BUTTONS N – 1WP

	Type	Switching element	Designation	Colour	Weight [g]
 IP30	Return drive with an extended button	11 XY	N1-1WP c N1-1WP z N1-1WP g N1-1WP n N1-1WP s	red green yellow blue black	66
 IP30	Return drive with an extended button	22 2X2Y	N2-1WP c N2-1WP z N2-1WP g N2-1WP n N2-1WP s	red green yellow blue black	88


RETURN BUTTONS N – 1DP

	Type	Switching element	Designation	Colour	Weight [g]
 IP30	Return drive with a palm button	11 XY	N1-1DP c N1-1DP z N1-1DP g N1-1DP n N1-1DP s	red green yellow blue black	70
 IP30	Return drive with a palm button	22 2X2Y	N2-1DP c N2-1DP z N2-1DP g N2-1DP n N2-1DP s	red green yellow blue black	92

RETURN BUTTONS N – 1UP


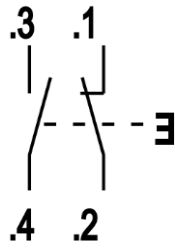

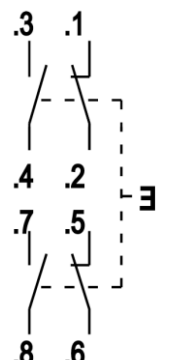
	Type	Switching element	Designation	Colour	Weight [g]
 IP66	Return drive with a covered, sealed button	11 XY	N1-1UP c N1-1UP z N1-1UP g N1-1UP n N1-1UP s	red green yellow blue black	74
 IP66	Return drive with a covered, sealed button	22 2X2Y	N2-1UP c N2-1UP z N2-1UP g N2-1UP n N2-1UP s	red green yellow blue black	96

RETURN BUTTONS N5¹

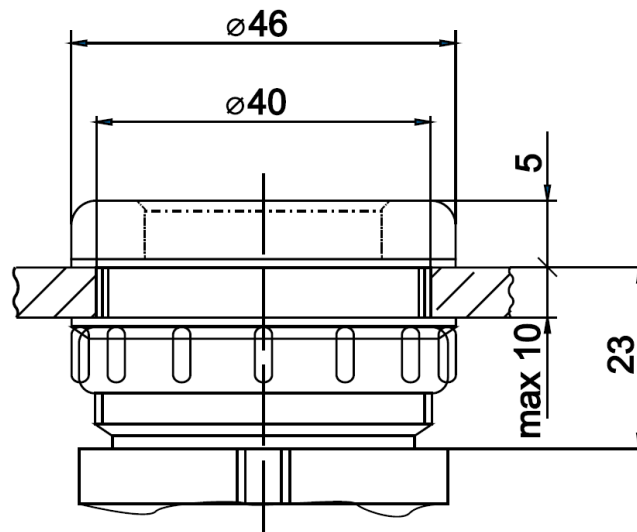
	Type	Switching element	Designation	Colour	Weight [g]
 IP30	Interlocked drive with a lock-operated button	22 2X2Y	N5-1 c N5-1 z	red green	135

¹ Buttons of the N5 type feature a lock inside the button, which makes it possible to lock NO or NC contacts using a key. When the key is removed, while the point on the lock's ring is situated directly opposite the "red" point, contacts are interlocked in the unforced position. The button is unlocked, when the key is put into the lock. When the button (lock) is pressed all the way, contacts are switched, and the lock can be switched in the left or right direction – marked by white and green, respectively. The button is not interlocked if the key is removed at the left position (white). In this position, the N5 button operates as a return button (N1, N2), i.e. the button can be pressed (together with the lock), without the need to use the key.

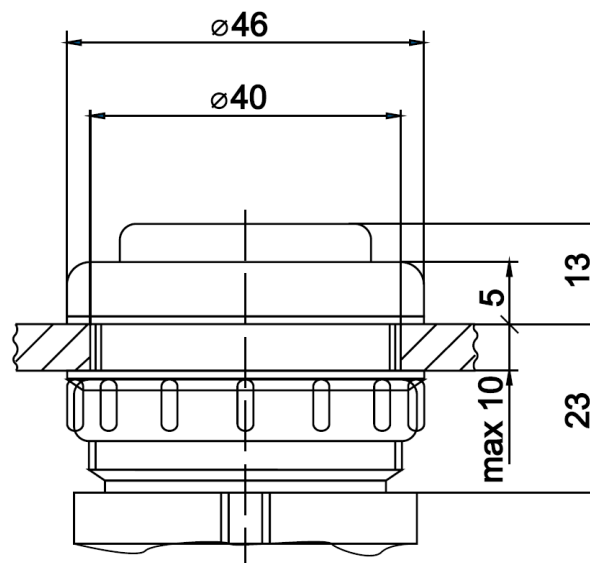
SWITCHING ELEMENTS

	Type	Designation	Switching type
	Switching element 11 (1NO+1NC) for N1 control buttons	P0-12-000501	XY (1xNO, 1xNC) 
	Switching element 22 (2NO+2NC) for N2, N5 control buttons	P0-12-000502	2X2Y (2xNO, 2xNC) 

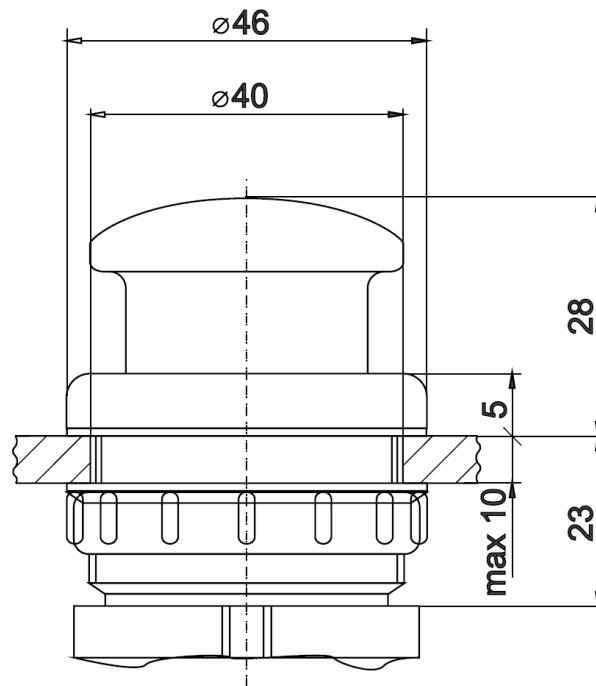
DIMENSIONS



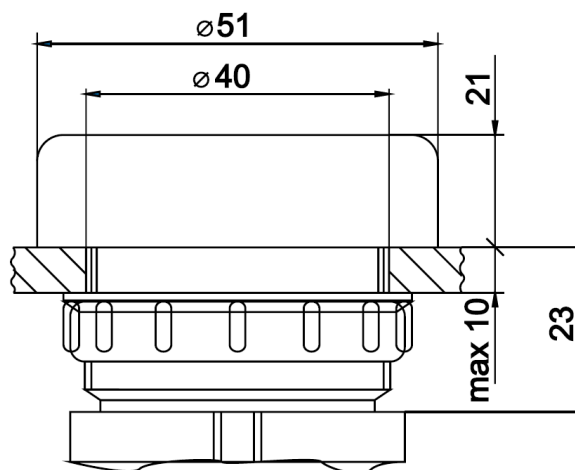
N1 - 1KP, N2 - 1KP



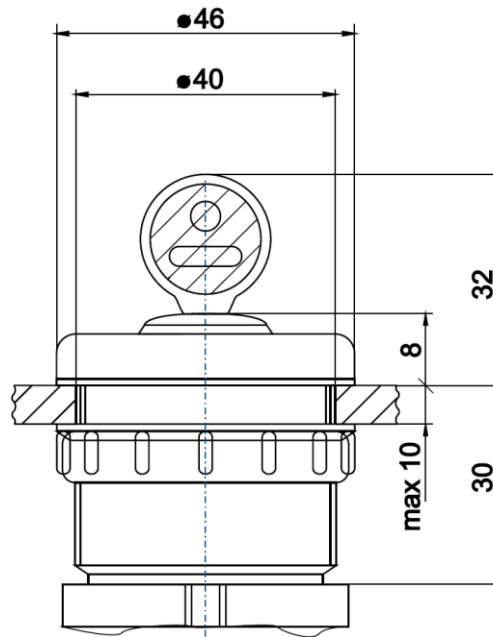
N1 - 1WP, N2 - 1WP



N1 - 1DP, N2 - 1DP

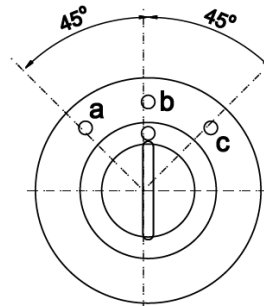
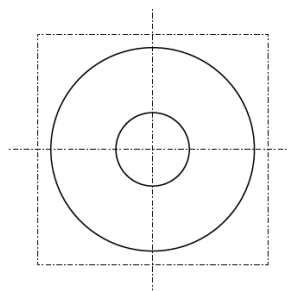


N1 - 1UP, N2 - 1UP

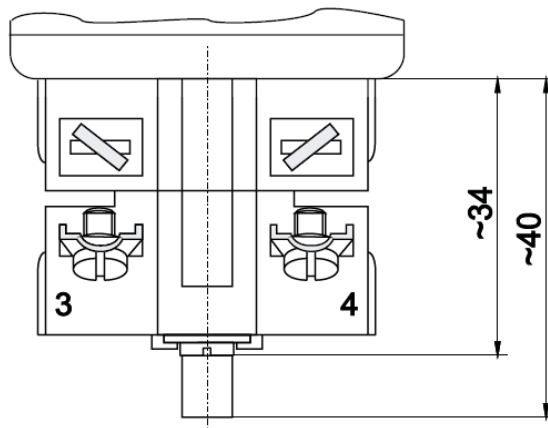


Colour insert

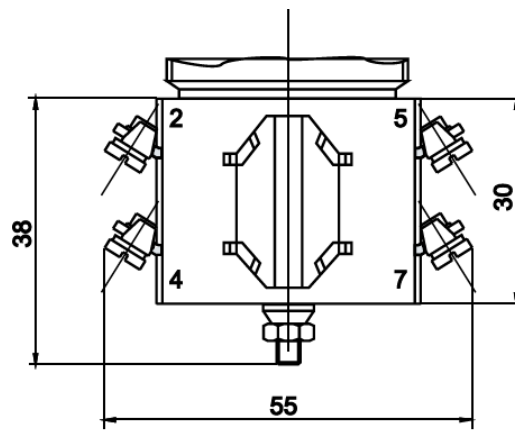
- a** – white
- b** – red
- c** – green



N5 – 1



Switching element 11



Switching element 22