

# BUZZERS

## NEF30-BUZZ, NEF30-BIP

### DATA SHEET

no: KK-W\_NEF30-BIP\_NEF30-BUZZ



The buzzers NEF30 are intended for building in standardized  $\varnothing 30.5\text{mm}$  holes – drilled in various types of control and signal equipment, or directly into bodies of machines and equipment. Likewise lamps and indicators of NEF30 series, the buzzers work under any voltage within the 24-230V AC/DC range.

The buzzer is comprised of the following elements:

- The part located over the desk, also referred to as the sound generator,
- The part located under the desk that includes the intermediate body and the switching element.

Buzzers are produced in two versions:

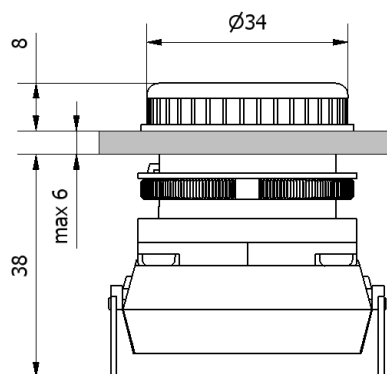
- with continuous sound (NEF30-BUZZ)
- with intermittent, pulse sound (NEF30-BIP).

## TECHNICAL DATA:

Parameter	Value
Insulation rated voltage $U_i$	250V
Rated voltage $U_e$	24-230V AC/DC
Thermal power max	2W
Sound volume level	80+10 Db (from 10 cm distance)
Frequency	3,7 kHz
IP for over-desk part IP for under-desk part	IP 30 IP 20
Cross-sections of terminals	1x or 2x LY 0,75-1,5mm <sup>2</sup> 1x or 2x DY 1-1,5mm <sup>2</sup>
Maximum thickness of desk	6 mm
Working temperature	-15...+30°C

The product conforms to the following standard PN-EN 60947-5-1.

## DIMENSIONS



NEF30-BIP, NEF30-BUZZ