

DIGITAL TEMPERATURE INDICATORS

NEF-30TEMP

DATA SHEET

no: KK-W_NEF30-TEMP



Temperature indicators NEF30-TEMP complete series NEF30 consisting of control buttons, signal lamps and LED indicators. Temperature indicators have been designed to be used as industrial panel indicators together with another NEF30 devices.

Indicator is equipped with probe including sensor (standard length 3m).

In case of NEF30-TEMP indicator is equipped with configuration buttons for setting emergency level, upon which the display is flashing.

The indicators are adapted for mounting in standard holes $\varnothing 30.5$ mm.

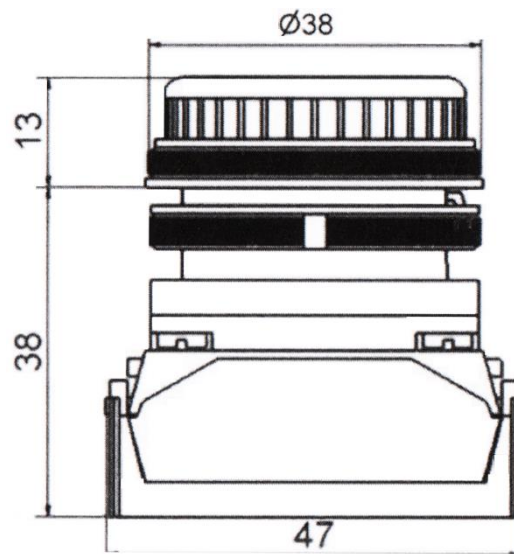
TECHNICAL DATA:

Parameter	Value
Supply voltage	24V AC/DC
Power consumption	max 1W
Protection class	IP66/67 over the desk IP20 cover and connections
Display	2 LED digits, height 10mm
Temperature	-20÷60°C
Max cross-sections of terminals	1,5 mm ²
Interference immunity	acc. to PN-EN 61000-6-2
Interference emission	acc. to PN-EN 61000-6-4
Useful range of measurement	-9°C to 99°C
Basic accuracy for temperature range -9°C to 99°C	±1°C

	Designation	Weight [g]
	NEF30-TEMP	154 ¹⁾

¹⁾ weight of the indicator together with measuring probe

DIMENSIONS



DIMENSIONS WITH SQUARE COVER PLATE

